

**MINISTRY OF EDUCATION AND SCIENCE OF UKRAINE
INSTITUTE OF CONTENTS AND TEACHING METHODS**

**NATIONAL AEROSPACE UNIVERSITY
"KHARKIV AVIATION INSTITUTE"**

16

Series ENGINEERING EDUCATION

GEOMETRICAL PROPERTIES OF PLANE AREAS

Vladislav Demenko

Научно-техническая
Библиотека
"ХАИ"



mt0070931

Editor-in-Chief Yakiv Karpov

**Recommended by the Ministry of Education and Science of Ukraine
as teaching aid for students of higher technical educational institutions**

Kharkiv 2006

2006.11
**НАУКОВО-ТЕХНІЧНА
БІБЛІОТЕКА**
Національного аерокосмічного
університету ім. М.Є. Жуковського
«Харківський авіаційний інститут»

УДК: 811.111.621.002.539.4(075.8)
UDK: 811.111.621.002.539.4(075.8)

Геометричні характеристики площ/ В Ф. Деменко - Навч. посібник. - Харків: Нац. аерокосм. ун-т "Харк. авіац. ін-т", 2006. - 90 с.

Geometrical Properties of Plane Areas/ V. Demenko. - Kharkiv: National Aerospace University "Kharkiv Aviation Institute", 2006. - 90 p.

ISBN 966-662-144-4

Посібник містить інформацію, яка стосується визначень і формул для обчислення положення геометричних центрів ("центрів ваги"), осейових, полярних і відцентрових моментів інерції площ. Ці властивості описують перерізи конструкційних елементів машинобудівних конструкцій та використовуються в розрахунках на міцність широкого діапазону сучасних конструкцій.

Для українських і зарубіжних студентів, які навчаються за напрямками "Авіація та космонавтика", "Інженерна механіка".

Може бути використаний для підготовки до технічного перекладу при вивченні англійської мови у вищих технічних навчальних закладах, а також студентами, які навчаються за спеціальністю "Прикладна лінгвістика".

Лл. 147. Табл. 10. Бібліогр.: 7 назв

The Textbook contains fundamental information related to the definitions and formulas concerning centroids, axial and polar moments, and products of inertia of plane areas. These properties describe cross sections of structural elements in machinery and are used in stress analysis of a wide range of modern structures.

The Textbook is intended for Ukrainian and foreign students, who are trained in aerospace and mechanical engineering. It may be used for carrying out the technical translation training in learning English at higher educational technical institutions as well as for the students, who are trained in "Applied linguistics" specialty.

Illustrations 147. Tables 10. Bibliographical references: 7 names

Рецензенти:	д-р техн. наук, проф. В.С. Соловйов, д-р техн. наук, проф. О.Я. Мовшович, д-р техн. наук, проф. С.С. Добротворський
Reviewed by:	Doctor of Technical Sciences, Professor V. Solovjov, Doctor of Technical Sciences, Professor O. Movshovich, Doctor of Technical Sciences, Professor S. Dobrotvorskiy

Гриф надано Міністерством освіти і науки України
(лист № 1.4/18-Г-965 від 23.10.06 р.)
Approved of by the Ministry of Education and Science of Ukraine
(letter № 1.4/18-Г-965 dated 23.10.06)

ISBN 966-662-144-4

© Національний аерокосмічний університет ім. М.Є. Жуковського
"Харківський авіаційний інститут", 2006
© В.Ф. Деменко, 2006
© National Aerospace University "Kharkiv Aviation Institute", 2006
© V.F. Demenko, 2006

Contents

Introduction.....	4
Chapter 1 General Terms and Concepts	5
Chapter 2 Simple Cross Sections.....	29
Chapter 3 Centroids of Plane Areas.....	43
Chapter 4 Geometrical Properties of Plane Areas.....	52
Index	80
References.....	89

Introduction

This textbook is the review of the definitions and formulae pertaining to centroids and moments of inertia of plane areas which represent cross sections of structural elements and are studied because of their great importance in solving problems of strength, rigidity and stability of engineering structures.

The topics discussed in the book cover areas of the simplest figures, centroids and how to locate them, axial moments of inertia, polar moments of inertia, products of inertia, parallel axis theorems, rotations of axes, and principal axes. The properties of a few structural steel shapes are also presented in the book. These tables are compiled from the extensive tables presented in the Manual of Steel Construction, published by the American Institute of Steel Construction, Inc. (AISC) and in the USSR State Standards № 8239-72, 8240-72, 8509-72, 8510-72.

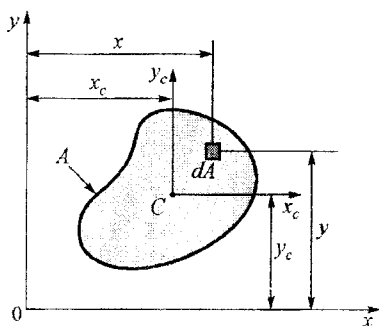
This book also covers all basic problems of geometrical properties calculations at the level suitable for junior engineering students. All these parameters are important for analysis and design of structural members subjected to tension, compression, torsion, bending, combined loading, deflections of beams, and stability of columns.

Chapter 1 General Terms and Concepts

Area (of a plane figure)

Площадь (плоской фигуры)

Площа (плоскої фігури)



Plane area of arbitrary shape

$$A = \int_A dA \quad \text{-- area of a plane figure,}$$

C -- centroid,

x_c, y_c -- coordinates of the centroid:

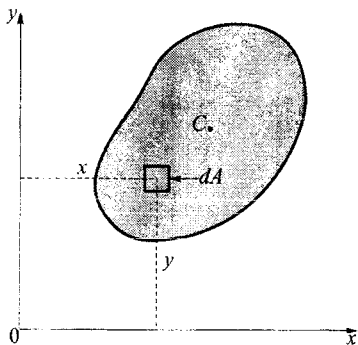
$$x_c = \frac{S_y}{A}, \quad y_c = \frac{S_x}{A};$$

$S_y = \int_A x dA, \quad S_x = \int_A y dA$ -- first moments (of a plane figure).

Axial moment of inertia (of a plane area) (syn. second moment (of a plane area), geometric(al) moment (of a plane area), moment of inertia (of a plane area))

Осевой момент инерции (площади) (син. второй момент (площади), геометрический момент (площади), момент инерции (площади))

Осьовий момент інерції (площі) (син. другий момент (площі), геометричний момент (площі), момент інерції (площі))



Plane area of an arbitrary shape with centroid C

The **moments of inertia** of a plane area (see figure) with respect to the x and y axes, respectively, are defined by the integrals

$$I_x = \int_A y^2 dA, \quad (A)$$

$$I_y = \int_A x^2 dA, \quad (A)$$

in which x and y are the *coordinates* of the differential element of area dA . Because the element dA is multiplied by the square of the distance from the reference axis, moments of inertia are also called **second moments** of area. Also, moments of inertia of areas (unlike first moments) are always positive quantities.

Axial moment of inertia of a composite area

Осевой момент инерции составной площади

Осьовий момент інерції складеної площі

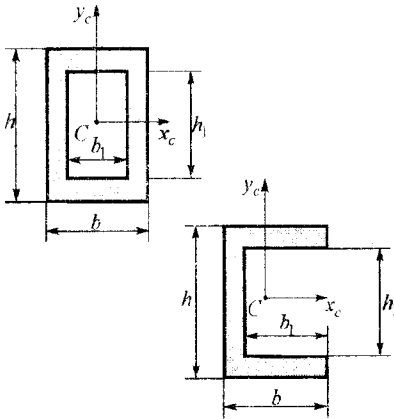


Fig. 1 An examples of composite areas

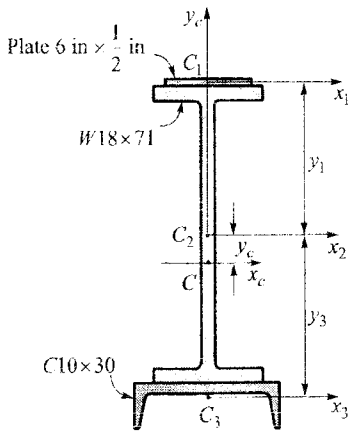


Fig. 2 Moment of inertia of a composite area

The **moment of inertia** of a composite area with respect to any particular axis is the sum of the moments of inertia of its parts with respect to that same axis. An example is the hollow box section shown in Fig. 1, where the x_c and y_c axes are axes of symmetry through the centroid C . The moment of inertia I_{x_c} with respect to the x_c axis is equal to the algebraic sum of the moments of inertia of the outer and inner rectangles (we can consider the inner rectangle as a “negative area” and the outer rectangle as a “positive area”). Therefore,

$$I_{x_c} = \frac{bh^3}{12} - \frac{b_1h_1^3}{12}$$

The same formula is applied to the channel section shown in Fig. 1, where we may consider the cutout as a “negative area”.

For the hollow box section, we can use a similar technique to obtain the moment of inertia I_{y_c} with respect to the vertical central axis. However, in the case of the channel section, the determination of the moment of inertia I_{y_c} requires the use of the *parallel-axis theorem*.

Example 1

Determine the moment of inertia I_{x_c} with respect to the horizontal axis x_c through the centroid C of the beam cross section shown in Fig. 2. The position of the centroid C was determined previously and equals to $y_c = 1.8$ in.

Note: From beam theory we know that axis x_c is the neutral axis for bending of this beam, and therefore the moment of inertia I_{x_c} must be determined in order to calculate the stresses and deflections of this beam.

We will determine the moment of inertia I_{x_c} with respect to axis x_c by applying the *parallel-axis theorem* to each individual part of the composite area. The area is divided naturally into three parts: (1) the cover plate, (2) the wide-flange section (see *geometrical*

properties of shapes), and (3) the channel section (see geometrical properties of channel sections). The following areas and centroidal distances were obtained previously:

$$A_1 = 3.0 \text{ in.}^2, \quad A_2 = 20.8 \text{ in.}^2, \quad A_3 = 8.82 \text{ in.}^2;$$

$$y_1 = 9.485 \text{ in.}, \quad y_2 = 0, \quad y_3 = 9.884 \text{ in.}, \quad y_c = 1.80 \text{ in.}$$

The moments of inertia of the three parts with respect to horizontal axes through their own centroids C_1 , C_2 , and C_3 are as follows:

$$I_1 = \frac{bh^3}{12} = \frac{1}{12}(6.0 \text{ in.})(0.5 \text{ in.})^3 = 0.063 \text{ in.}^4;$$

$$I_2 = 1170 \text{ in.}^4; \quad I_3 = 3.94 \text{ in.}^4$$

Now we can use the *parallel-axis theorem* to calculate the moments of inertia about axis x_c for each of the three parts of the composite area:

$$I_{x_c}^I = I_1 + A_1(y_1 + y_c)^2 = 0.063 \text{ in.}^4 + (3.0 \text{ in.}^2)(11.28 \text{ in.})^2 = 382 \text{ in.}^4;$$

$$I_{x_c}^{II} = I_2 + A_2 y_c^2 = 1170 \text{ in.}^4 + (20.8 \text{ in.}^2)(1.80 \text{ in.})^2 = 1240 \text{ in.}^4;$$

$$I_{x_c}^{III} = I_3 + A_3(y_3 - y_c)^2 = 3.94 \text{ in.}^4 + (8.82 \text{ in.}^2)(8.084 \text{ in.})^2 = 580 \text{ in.}^4.$$

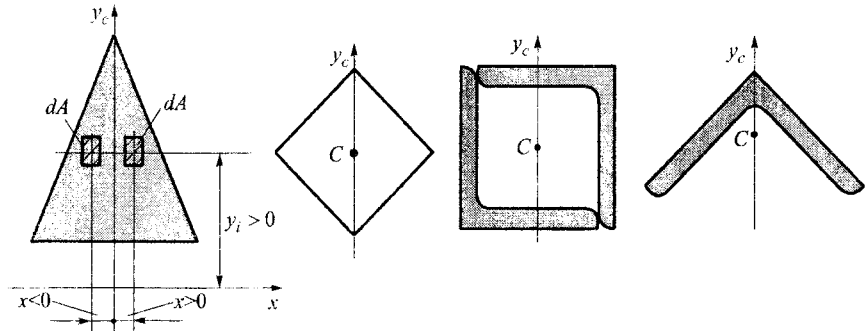
The sum of these individual moments of inertia gives the moment of inertia of the entire cross-sectional area about its centroidal axis x_c :

$$I_{x_c} = I_{x_c}^I + I_{x_c}^{II} + I_{x_c}^{III} = 2200 \text{ in.}^4.$$

Axis of symmetry

Ось симметрії

Вісь симетрії

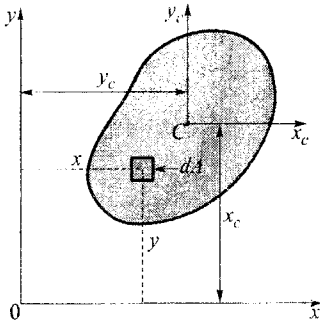


Plane figures with vertical axis of symmetry

The product of inertia equals zero when one axis is an **axis of symmetry**:

$$I_{xy_c} = \int_A xy dA = 0.$$

Center of area (see centroid)	Геометрический центр площади, центр тяжести площади	Геометричний центр площі, центр ваги площі
Center of figure (see centroid)	Геометрический центр фигуры, центр тяжести фигуры	Геометричний центр фігури, центр ваги фігури
Central axes (see centroidal axes)	Центральные оси	Центральні осі
Centroid (syn. center of area, center of figure)	Геометрический центр площади, центр тяжести площади	Геометричний центр площі, центр ваги площі



Plane area of an arbitrary shape with centroid C

For a plane figure, the center of mass of a thin uniform plate having the same boundaries as the plane figure.

$$A = \int dA \text{ -- area of a plane figure,}$$

C – **centroid**,

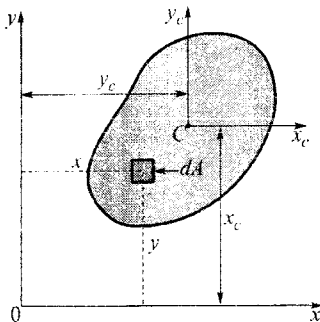
x_c, y_c – coordinates of the centroid:

$$x_c = \frac{S_y}{A}, \quad y_c = \frac{S_x}{A};$$

$$S_y = \int x dA, \quad S_x = \int y dA \text{ -- first moments (of}$$

plane area).

Centroidal (syn. central) axes	Центральные оси	Центральні осі
--------------------------------	-----------------	----------------



Plane area with centroid C and central axes x_c, y_c

Any pair of axes, which pass through the centroid are called **centroidal axes**.

The coordinates x_c and y_c of the centroid C are equal to the first moments divided by the area:

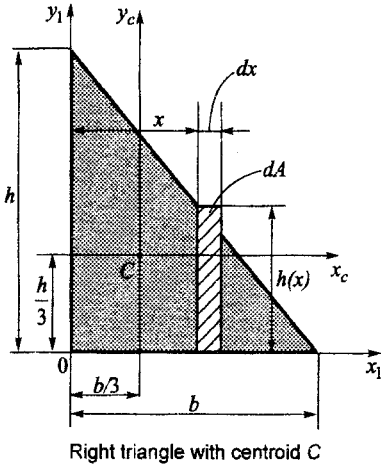
$$x_c = \frac{S_y}{A} = \frac{\int x dA}{A}, \quad y_c = \frac{S_x}{A} = \frac{\int y dA}{A}.$$

If the boundaries of the area are defined by simple mathematical expressions, we can evaluate the integrals appearing in equation in closed form and thereby obtain formulas for x_c and y_c .

Centroidal axes of right triangle

Центральные оси прямоугольного треугольника

Центральні осі прямокутного трикутника



x_c, y_c – centroidal axes of right triangle;

$$x_c = \frac{S y_{c1}}{A} = \frac{\int x dA}{A} =$$

$$= \left\{ \begin{array}{l} dA = h(x) dx; \\ \frac{h(x)}{h} = \frac{(b-x)}{b} \rightarrow h(x) = \frac{h}{b}(b-x) \end{array} \right\} =$$

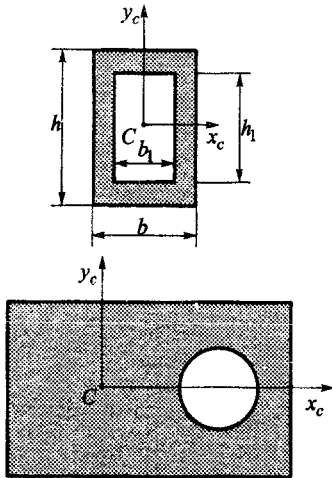
$$= \frac{\frac{h}{b} \int_0^b (b-x) x dx}{\frac{bh}{2}} = \frac{\frac{h}{b} \left(b \frac{b^2}{2} - \frac{b^3}{3} \right)}{\frac{bh}{2}} = \frac{\frac{hb^2}{6}}{\frac{bh}{2}} = \frac{b}{3}$$

By analogy $y_c = \frac{S x_{c1}}{A} = \frac{h}{3}$.

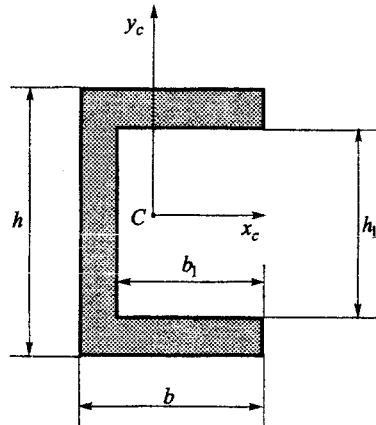
Composite area (cross section)

Составная площадь (поперечное сечение)

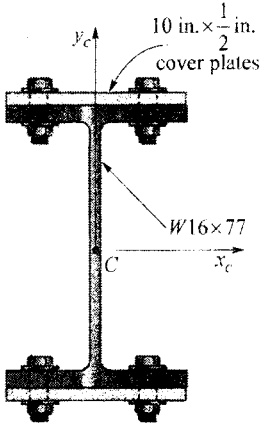
Складена площа (поперечний переріз)



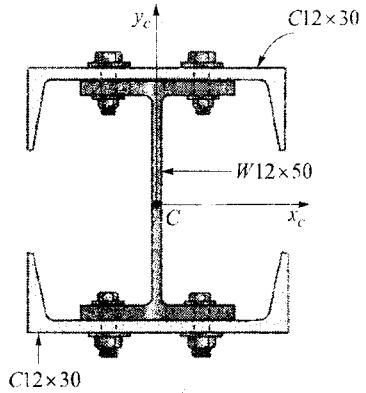
Composite areas with a hole



Composite area with a cutout



Composite cross section fabricated from wide-flange beam and two cover plates

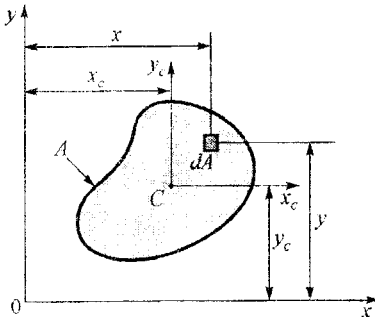


Composite cross section fabricated from wide-flange beam and two channels

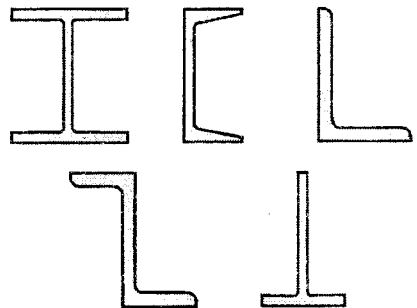
Cross section

Поперечное сечение

Поперечний переріз



Cross section of an arbitrary shape



Examples of structural members cross sections

$A = \int_A dA$ – area of a **cross section**,

C – centroid,

x_c, y_c – coordinates of the centroid: $x_c = \frac{S_y}{A}, y_c = \frac{S_x}{A}$;

$S_y = \int_A x dA, S_x = \int_A y dA$ – first moments (of cross section).

Cross section with one axis of symmetry (see singly symmetric cross section)

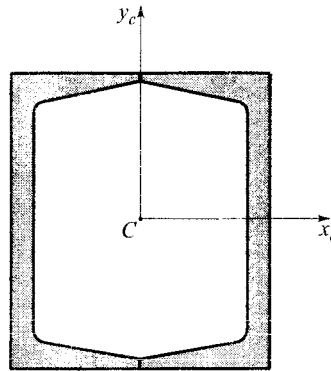
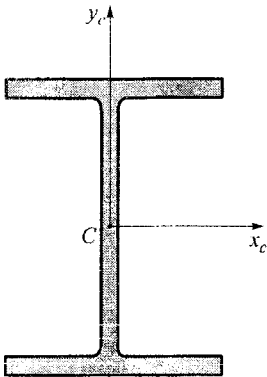
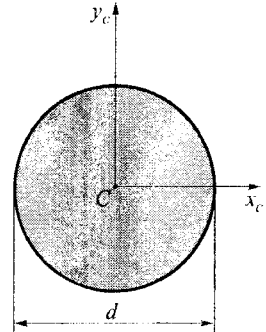
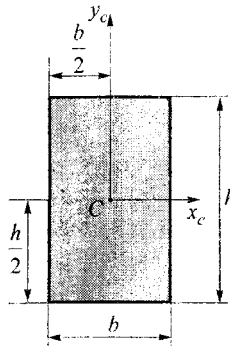
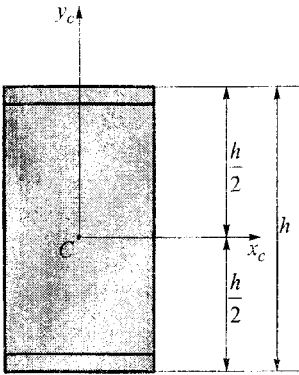
Поперечное сечение с одной осью симметрии

Поперечний переріз з однією віссю симетрії

Doubly symmetric cross section

Поперечное сечение с двумя осями симметрии

Поперечний переріз з двома осями симетрії

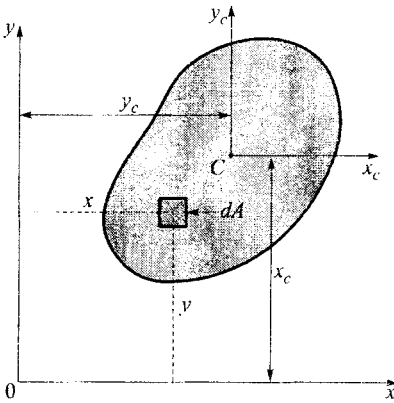


Doubly symmetric cross-sectional shapes

First moment (of a plane area) (syn. static moment (of a plane area))

Первый момент (площади), статический момент (площади)

Перший момент (площі), статичний момент (площі)



Plane area of an arbitrary shape with centroid C

The **first moments** of the area with respect to the x and y axes are defined, respectively, as follows:

$$S_y = \int x dA.$$

(A)

$$S_x = \int y dA.$$

(A)

Thus, the first moments represent the sums of the products of the differential areas and their coordinates. First moments may be positive or negative, depending upon the position of the x and y axes. Also, first moments have units of length raised to the third power; for instance, in.³ or m.³.

Geometric(al) moment (of a plane area) (see axial moment of inertia (of a plane area))

Геометрический момент (площади), осевой момент инерции (площади)

Геометричний момент (площі), осьовий момент інерції (площі)

Moment of inertia (of a plane area) (see axial moment of inertia (of a plane area))

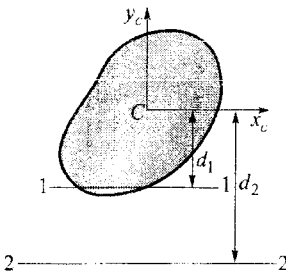
Момент инерции (площади)

Момент інерції (площі)

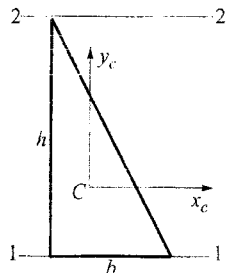
Noncentroidal axes

Нецентральные оси

Нецентрльні осі



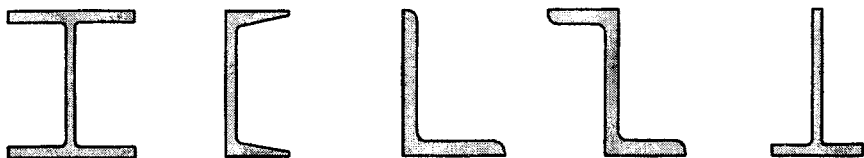
Plane areas with two parallel noncentroidal axes 1-1 and 2-2



Open cross section

Открытое поперечное сечение, незамкнутое поперечное сечение

Відкритий поперечний переріз, незамкнений поперечний переріз

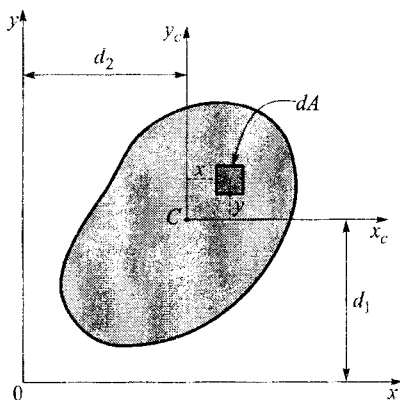


Typical beams of thin-walled open cross section (wide-flange beam or I-beam, channel beam, angle section, Z-section, and T-beam)

Parallel-axis theorem for axial moments of inertia (syn. Steiner's theorem)

Теорема о параллельном переносе осей, теорема об осевых моментах инерции относительно осей, параллельных исходным центральным осям

Теорема про паралельне перенесення осей, теорема про осьові моменти інерції відносно осей, паралельних вихідним центральним осям



Derivation of parallel-axis theorem. x_c, y_c - centroidal axes

From the definition of moment of inertia, we can write the following equation for the moment of inertia I_x with respect to the x axis:

$$I_x = \int (y + d_1)^2 dA = \int y^2 dA + 2d_1 \int y dA + d_1^2 \int dA.$$

The first integral on the right-hand side is the moment of inertia I_{x_c} with respect to the x_c axis. The second integral is the first moment of the area with respect to the x_c axis (this integral equals zero because the x_c axis passes through the centroid). The third integral is the area A itself. Therefore, the preceding equation reduces to

$$I_x = I_{x_c} + Ad_1^2. \quad (1)$$

Proceeding in the same manner for the moment of inertia with respect to the y axis, we obtain

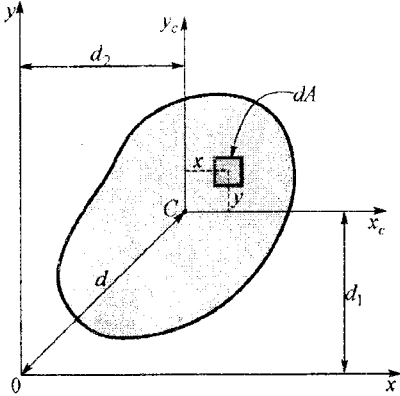
$$I_y = I_{y_c} + Ad_2^2. \quad (2)$$

Equations (1) and (2) represent the **parallel-axis theorem for moments of inertia**: *The moment of inertia of an area with respect to any axis in its plane is equal to the moment of inertia with respect to a parallel centroidal axis plus the product of the area and the square of the distance between the two axes.*

Parallel-axis theorem for polar moments of inertia

Теорема о полярном моменте инерции при параллельном переносе осей

Теорема про полярний момент інерції при паралельному перенесенні осей



Derivation of parallel-axis theorem

Polar moments of inertia with respect to various points in the plane of an area are related by the **parallel-axis theorem for polar moments of inertia**. We can derive this theorem by referring to figure. Let us denote the polar moments of inertia with respect to the origin O and the centroid C by $(I_p)_O$ and $(I_p)_C$, respectively. Then, using equation

$$I_p = I_x + I_y,$$

we can write the following equations:

$$(I_p)_O = I_x + I_y, \quad (I_p)_C = I_{x_c} + I_{y_c}. \quad (1)$$

Now refer to the parallel-axis theorems for axial moments of inertia

$$I_x = I_{x_c} + Ad_1^2.$$

$$I_y = I_{y_c} + Ad_2^2.$$

Adding those two equations, we get

$$I_x + I_y = I_{x_c} + I_{y_c} + A(d_1^2 + d_2^2).$$

Substituting from Eqs. (1), and also noting that $d^2 = d_1^2 + d_2^2$, we obtain

$$(I_p)_O = (I_p)_C + Ad^2. \quad (2)$$

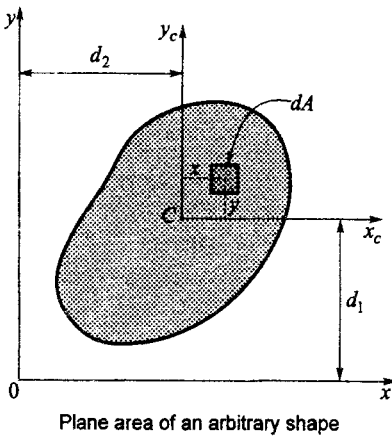
Equations (1) represents the parallel-axis theorem for polar moments of inertia: *the polar moment of inertia of an area with respect to any point O in its plane is equal to the polar moment of inertia with respect to the centroid C plus the product of the area and the square of the distance between points O and C .*

Parallel-axis theorem for products of inertia (syn. Steiner's theorem)

Теорема о центробежных моментах инерции относительно пары осей, параллельных исходным центральным

Теорема про відцентрові моменти інерції відносно пари осей, паралельних вихідним центральним

Products of inertia of an area with respect to parallel sets of axes are related by a parallel-axis theorem that is analogous to the corresponding theorems for axial moments of inertia and polar moments of inertia. To obtain this theorem, consider the area shown in figure, which has centroid C and centroidal x_c, y_c axes. The product of inertia I_{xy} with respect to any other set of axes, parallel to the x_c, y_c axes, is



$$I_{xy} = \int (x + d_2)(y + d_1)dA = \int xydA + d_1 \int xdA + d_2 \int ydA + d_1d_2 \int dA,$$

in which d_1 and d_2 are the coordinates of the centroid C with respect to the xy axes (thus, d_1 and d_2 may have positive or negative values). The first integral in the last expression is the product of inertia $I_{x_c y_c}$ with respect to the centroidal axes; the second and third integrals equal zero because they are the first moments of the area with respect to the centroidal axes; and the last integral is the area A . Therefore, the preceding equation reduces to

$$I_{xy} = I_{x_c y_c} + Ad_1d_2.$$

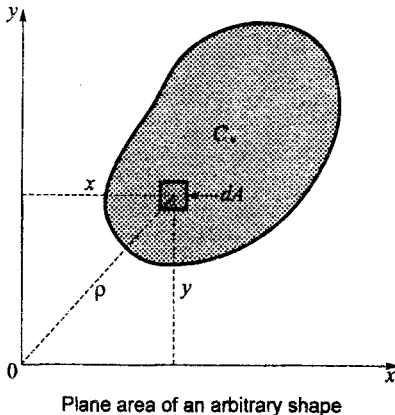
This equation represents the **parallel-axis theorem for products of inertia**:

The product of inertia of an area with respect to any pair of axes in its plane is equal to the product of inertia with respect to parallel centroidal axes plus the product of the area and the coordinates of the centroid with respect to the pair of axes.

Polar moment of inertia (of a plane area)

Полярный момент инерции (площади)

Полярний момент інерції (площі)



The axial moments of inertia are defined with respect to axes lying in the plane of the area itself, such as the x and y axes in figure. Let us consider an axis *perpendicular* to the plane of the area and intersecting the plane at the origin O . The moment of inertia with respect to this perpendicular axis is called the **polar moment of inertia** and is denoted by the symbol I_ρ . The polar moment of inertia with respect to an axis through O perpendicular to the plane of the figure is defined by the integral

$$I_\rho = \int \rho^2 dA,$$

in which ρ is the distance from point O to the

differential element of area dA . This integral is similar in form to those for moments of inertia I_x and I_y .

Because $\rho^2 = x^2 + y^2$, where x and y are the rectangular coordinates of the element dA , we obtain the following expression for I_ρ :

$$I_{\rho} = \int \rho^2 dA = \int (x^2 + y^2) dA = \int x^2 dA + \int y^2 dA.$$

Thus, we obtain the important relationship

$$I_{\rho} = I_x + I_y,$$

I_{ρ} - polar moment of inertia of the area A in the (x, y) system of coordinates.

This equation shows that the polar moment of inertia with respect to an axis perpendicular to the plane of the figure at any point O is equal to the sum of the moments of inertia with respect to any two perpendicular axes x and y passing through the same point and lying in the plane of the figure.

Principal central axes (see principal centroidal axes)

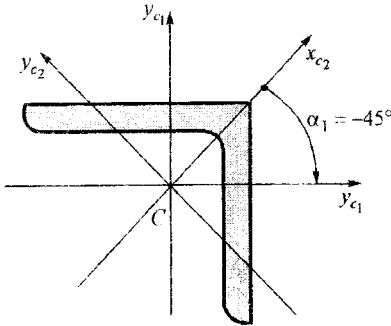
Главные центральные оси

Головні центральні осі

Principal central axes for equal-legs angle

Главные центральные оси стали прокатной угловой равнополочной

Головні центральні осі сталі прокатної кутової рівнополочної



Equilegs angle cross section

x_{c2}, y_{c2} - **principal central axes;**

$$I_{x_{c2}} = I_{\max},$$

$$I_{y_{c2}} = I_{\min},$$

$$I_{x_{c2}y_{c2}} = 0.$$

Principal axis (of inertia)

Главная ось (инерции)

Головна вісь (інерції)

It is one of two perpendicular axes in a plane area such that the products of inertia about these axes vanish.

The *transformation equations* for moments and products of inertia (Eqs. (1), (2) and (3)) show how the moments and products of inertia vary as the angle of rotation θ varies:

$$I_{x_i} = \frac{I_x + I_y}{2} + \frac{I_x - I_y}{2} \cos 2\theta - I_{xy} \sin 2\theta, \quad (1)$$

$$I_{x_i y_i} = \frac{I_x - I_y}{2} \sin 2\theta + I_{xy} \cos 2\theta, \quad (2)$$

$$I_{y_i} = \frac{I_x + I_y}{2} - \frac{I_x - I_y}{2} \cos 2\theta + I_{xy} \sin 2\theta. \quad (3)$$

Of special interest are the maximum and minimum values of the moment of inertia. These values are known as the *principal moments of inertia*, and the corresponding axes are known as *principal axes*.

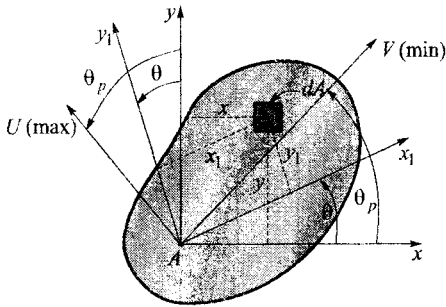
To find the values of the angle θ that make the moment of inertia I_x a maximum or a minimum, we take the derivative with respect to θ of the expression on the right-hand side of (see Eq. (1)) and set it equal to zero:

$$(I_x - I_y)\sin 2\theta + 2I_{xy}\cos 2\theta = 0.$$

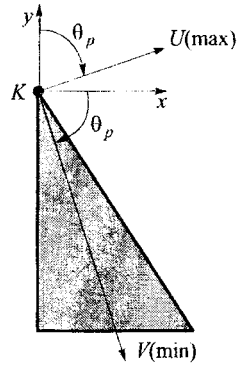
Solving for θ from this equation, we get

$$\tan 2\theta_p = -\frac{2I_{xy}}{I_x - I_y}, \tag{4}$$

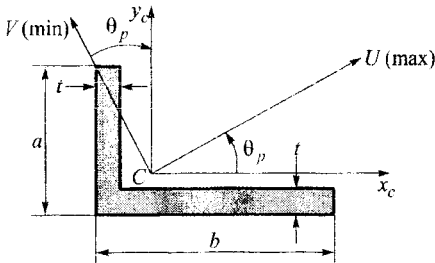
in which θ_p denotes the angle defining a principal axis. The same result is obtained if we take the derivative of I_{y_1} (see Eq. (3)). Therefore we conclude that the product of inertia is zero for the pair of any principal axes.



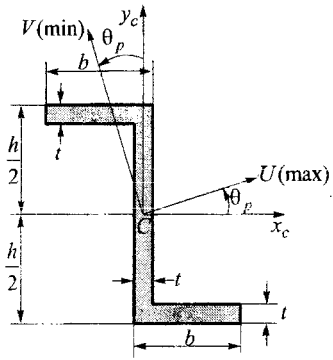
Rotation of axes to principal position in an arbitrary point A



U, V – principal axes for a right triangle in the point K



U, V – principal central axes for angle section with unequal legs



U, V – principal central axes for Z-section

Principal centroidal axes
(syn. principal central axes)

Главные центральные
оси

Головні центральні осі

Principal axes of inertia are two perpendicular axes in a plane area such, that the product of inertia about them vanish, and axial moments of inertia are maximum and minimum.

To find the values of the angle θ that make the moment of inertia I_x a maximum or a minimum, we take the derivative with respect to θ of the expression on the right-hand side of Eq. (1)

$$I_{x_1} = \frac{I_x + I_y}{2} + \frac{I_x - I_y}{2} \cos 2\theta - I_{xy} \sin 2\theta \quad (1)$$

and set it equal to zero:

$$(I_x - I_y) \sin 2\theta + 2I_{xy} \cos 2\theta = 0.$$

Solving for θ from this equation, we get

$$\tan 2\theta_p = -\frac{2I_{xy}}{I_x - I_y}, \quad (2)$$

in which θ_p denotes the angle defining a *principal axis*.

Eq. (2) yields two values of the angle $2\theta_p$ in the range from 0 to 360° ; these values differ by 180° . The corresponding values of θ_p differ by 90° and define the two perpendicular principal axes. One of these axes corresponds to the maximum moment of inertia and the other corresponds to the minimum moment of inertia.

If the pair of principal axes passes through the *centroid* these axes are called **principal centroidal axes**.

Example 1

Determine the orientations of the principal centroidal axes and the magnitudes of the principal centroidal moments of inertia for the cross-sectional area of the Z-section shown in Fig. 1. Use the following numerical data: height $h = 200$ mm, width $b = 90$ mm, and thickness $t = 15$ mm.

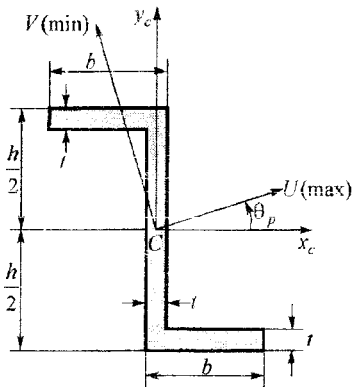


Fig. 1 Principal central axes for a Z-section

Let us use the x_c , y_c axes as the reference axes through the centroid C. The moments and product of inertia with respect to these axes can be obtained by dividing the area into three rectangles and using the *parallel-axis theorems*. The results of such calculations are as follows:

$$I_{x_c} = 29.29 \cdot 10^6 \text{ mm}^4, \quad I_{y_c} = 6.667 \cdot 10^6 \text{ mm}^4,$$

$$I_{x_c y_c} = -9.366 \cdot 10^6 \text{ mm}^4.$$

Substituting these values into the equation for the angle θ_p Eq. (2), we get

$$\tan 2\theta_p = -\frac{2I_{xy}}{I_x - I_y} = 0.7930, \quad 2\theta_p = 38.4^\circ \text{ and } 218.4^\circ.$$

Thus, the two values of θ_p are

$$\theta_p = 19.2^\circ \text{ and } 109.2^\circ.$$

Using these values of θ_p in the transformation equation for I_{x_1}

$$I_{x_1} = \frac{I_x + I_y}{2} + \frac{I_x - I_y}{2} \cos 2\theta_p - I_{xy} \sin 2\theta_p \quad (3)$$

we find $I_{x_1} = 32.6 \cdot 10^6 \text{ mm}^4$ and $I_{x_1} = 2.4 \cdot 10^6 \text{ mm}^4$, respectively. The same values are obtained if we substitute into equations:

$$I_U = I_{\max} = \frac{I_x + I_y}{2} + \sqrt{\left(\frac{I_x - I_y}{2}\right)^2 + I_{xy}^2}, \quad I_V = I_{\min} = \frac{I_x + I_y}{2} - \sqrt{\left(\frac{I_x - I_y}{2}\right)^2 + I_{xy}^2}. \quad (4)$$

Thus, the principal moments of inertia and the angles to the corresponding principal axes are:

$$I_U = 32.6 \cdot 10^6 \text{ mm}^4, \quad \theta_{p1} = 19.2^\circ;$$

$$I_V = 2.4 \cdot 10^6 \text{ mm}^4, \quad \theta_{p2} = 109.2^\circ.$$

The principal axes are shown in Fig. 1 as the U, V axes.

Example 2

Determine the orientations of the principal centroidal axes and the magnitudes of the principal centroidal moments of inertia for the cross-sectional area shown in Fig. 2. Use the following numerical data (see table).

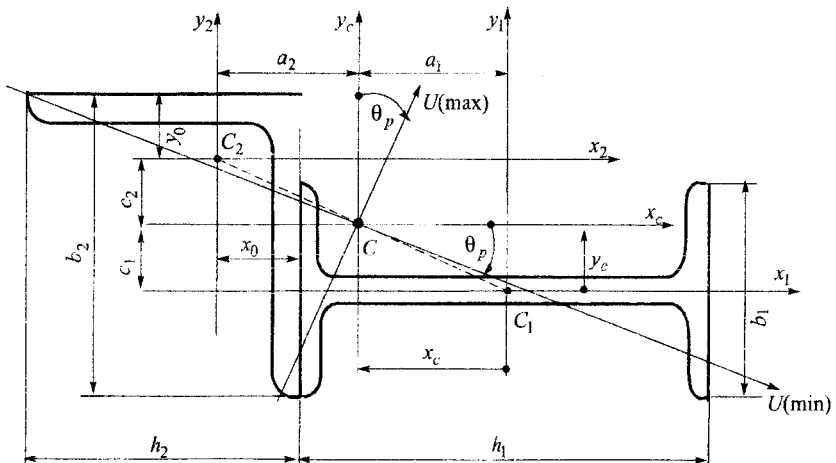




Fig. 2 Principal central axes and principal moments of inertia for a composite area

Parts of the composite area	Geometrical properties						
	$h_i, \text{ m}$	$b_i, \text{ m}$	$A_i, \text{ m}^2$	$I_{x_i}, \text{ m}^2$	$I_{y_i}, \text{ m}^4$	$I_{x_i y_i}, \text{ m}^4$	$y_0, \text{ m}$
1- 	0,2	0,1	$26,8 \cdot 10^{-4}$	$115 \cdot 10^{-8}$	$1840 \cdot 10^{-8}$	0	-
2- 	0,16	0,16	$31,4 \cdot 10^{-4}$	$774 \cdot 10^{-8}$	$774 \cdot 10^{-8}$	$-455 \cdot 10^{-8}$	$4,3 \cdot 10^{-2}$

The coordinates of two centroids C_1 and C_2 are known from assortments ($x_0 = y_0 = 4,3 \cdot 10^{-2} \text{ m}$).

The coordinates of the centroid C are determined beforehand and equals to:

$$\begin{aligned}x_c &= -7,715 \cdot 10^{-2} \text{ m}, \\y_c &= 3,615 \cdot 10^{-2} \text{ m}.\end{aligned}$$

Note: the first element (I-beam) was chosen as original in this calculation.

Let us use the x_c, y_c axes as the reference axes through the centroid C . The moments and product of inertia with respect to these axes can be obtained using the *parallel-axis theorems*. The results of such calculations are as follows.

$$I_{x_c} = I_{x_c}^{+} + I_{x_c}^{-}, \quad (5)$$

$$I_{x_c}^{+} = I_{x_1}^{+} + c_1^2 A_1 = 115 \cdot 10^{-8} + 3,615^2 \cdot 26,8 \cdot 10^{-8} = 465,23 \cdot 10^{-8} \text{ m}^4,$$

$$I_{x_c}^{-} = I_{x_2}^{-} + c_2^2 A_2 = 774 \cdot 10^{-8} + 3,085^2 \cdot 31,4 \cdot 10^{-8} = 1072,8 \cdot 10^{-8} \text{ m}^4,$$

$$I_{x_c} = (465,23 + 1072,8) \cdot 10^{-8} = 1538 \cdot 10^{-8} \text{ m}^4,$$

$$I_{y_c} = I_{y_c}^{+} + I_{y_c}^{-}, \quad (6)$$

$$I_{y_c}^{+} = I_{y_1}^{+} + a_1^2 A_1 = 1840 \cdot 10^{-8} + 7,715^2 \cdot 26,8 \cdot 10^{-8} = 3435,2 \cdot 10^{-8} \text{ m}^4,$$

$$I_{y_c}^{-} = I_{y_2}^{-} + a_2^2 A_2 = 774 \cdot 10^{-8} + 6,585^2 \cdot 31,4 \cdot 10^{-8} = 2135,6 \cdot 10^{-8} \text{ m}^4,$$

$$I_{y_c} = (3435,2 + 2135,6) \cdot 10^{-8} = 5570,8 \cdot 10^{-8} \text{ m}^4,$$

$$I_{x_c y_c} = I_{x_c y_c}^{+} + I_{x_c y_c}^{-}, \quad (7)$$

$$I_{x_c y_c}^{+} = I_{x_1 y_1}^{+} + a_1 c_1 A_1 = 0 + 7,715(-3,615) \cdot 10^{-4} \cdot 26,8 \cdot 10^{-4} = -747,4 \cdot 10^{-8} \text{ m}^4,$$

$$I_{x_c y_c}^{-} = I_{x_2 y_2}^{-} + a_2 c_2 A_2.$$

The value of $I_{x_2 y_2}^{-}$ is determined beforehand and equals to $-455 \cdot 10^{-8} \text{ m}^4$.

Consequently

$$I_{x_c y_c}^{-} = -455 \cdot 10^{-8} + (-6,585) \cdot 3,085 \cdot 31,4 \cdot 10^{-8} = -1092,9 \cdot 10^{-8} \text{ m}^4.$$

After substitutions the result is

$$I_{x_c y_c} = (-747.4 - 1092.9)10^{-8} = -1840.3 \cdot 10^{-8} \text{ m}^4.$$

Substituting these values into the equation for the angle θ_p , we get

$$\operatorname{tg} 2\theta_p = \frac{2I_{x_c y_c}}{I_{y_c} - I_{x_c}} = \frac{-2 \cdot 1840.3}{5570.8 - 1538} = -0.9127 \Rightarrow 2\theta_p = -42^\circ 24' \Rightarrow \theta_p = -21^\circ 12'.$$

The principal moments of inertia are

$$I_{U/V} = I_{\max/\min} = \frac{I_{x_c} + I_{y_c}}{2} \pm \sqrt{\left(\frac{I_{x_c} - I_{y_c}}{2}\right)^2 + I_{x_c y_c}^2} = (3554.4 \pm 2293.2)10^{-8} \text{ m}^4,$$

$$I_U = I_{\max} = 5847.6 \cdot 10^{-8} \text{ m}^4, \quad I_V = I_{\min} = 1261.2 \cdot 10^{-8} \text{ m}^4.$$

Checking the results:

a) $I_{\max} > I_{y_c} > I_{x_c} > I_{\min},$

$$5847.6 \cdot 10^{-8} > 5570.8 \cdot 10^{-8} > 1538 \cdot 10^{-8} > 1261.2 \cdot 10^{-8};$$

b) $I_{\max} + I_{\min} = I_{x_c} + I_{y_c},$

$$5847.6 \cdot 10^{-8} + 1261.2 \cdot 10^{-8} = 5570.8 \cdot 10^{-8} + 1538 \cdot 10^{-8},$$

$$(7108.8 \cdot 10^{-8} = 7108.8 \cdot 10^{-8});$$

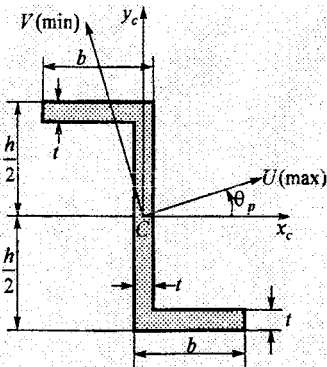
c) $I_{UV} = I_{x_c y_c} \cos 2\theta_p + \frac{I_{y_c} - I_{x_c}}{2} \sin 2\theta_p =$

$$= \left[-1840.3 \cdot 0.7384 + \frac{1538 - 5570.8}{2} \cdot (-0.6743) \right] \times 10^{-8} = (-1358.9 + 1359) \cdot 10^{-8} \text{ m}^4 \approx 0.$$

Principal moments of inertia (at a point)

Главные моменты инерции (в точке)

Головні моменти інерції (у точці)



Principal axes and principal moments of inertia for a Z-section at a point C (centroid)

The *transformation equations* for moments and products of inertia (Eqs. (1), (2) and (3)) show how the moments and products of inertia vary as the angle of rotation θ varies:

$$I_{x_1} = \frac{I_x + I_y}{2} + \frac{I_x - I_y}{2} \cos 2\theta - I_{xy} \sin 2\theta, \quad (1)$$

$$I_{x_1 y_1} = \frac{I_x - I_y}{2} \sin 2\theta + I_{xy} \cos 2\theta, \quad (2)$$

$$I_{y_1} = \frac{I_x + I_y}{2} - \frac{I_x - I_y}{2} \cos 2\theta + I_{xy} \sin 2\theta. \quad (3)$$

The maximum and minimum values of the moment of inertia are known as the **principal moments of inertia**, and the corresponding axes are known as *principal axes*.

The algebraically larger of the two principal moments of inertia, denoted by the symbol I_U , may be obtained from the equation

$$I_U = \frac{I_x + I_y}{2} + \sqrt{\left(\frac{I_x - I_y}{2}\right)^2 + I_{xy}^2}. \quad (4)$$

The smaller principal moment of inertia, denoted as I_V , may be obtained from the equation

$$I_U + I_V = I_x + I_y.$$

Substituting the expression for I_U into this equation and solving for I_V , we get

$$I_V = \frac{I_x + I_y}{2} - \sqrt{\left(\frac{I_x - I_y}{2}\right)^2 + I_{xy}^2}. \quad (5)$$

Eqs. (4) and (5) provide a convenient way to calculate the principal moments of inertia.

Principal point

Точка-начало главных осей инерции

Точка-початок головних осей інерції

Let's consider a pair of principal axes with origin at a given point O . If there exist different pairs of principal axes through the same point, then every pair of axes through that point is a set of principal axes. Furthermore, the moment of inertia must be constant as the angle θ is varied. These conclusions follow from the nature of the transformation equation for I_{x_1} :

$$I_{x_1} = \frac{I_x + I_y}{2} + \frac{I_x - I_y}{2} \cos 2\theta - I_{xy} \sin 2\theta.$$

Because this equation contains trigonometric functions of the angle 2θ , there is one maximum value and one minimum value of I_{x_1} as 2θ varies through a range of 360° (or as θ varies through a range of 180°). If a second maximum exists, then the only possibility is that I_{x_1} remains constant, which means that

every pair of axes is a set of principal axes and all moments of inertia are the same. A point located so that every axis through the point is a principal axis, and hence the moments of inertia are the same for all axes through the point, is called a **principal point**.

An illustration of this situation is the rectangle of width $2b$ and height b shown in Fig. 1. The x, y axes, with origin at point O , are principal axes of the rectangle because the y axis is an axis of symmetry. The x', y' axes, with the same origin, are also principal axes because the product of inertia $I_{x'y'}$ equals zero

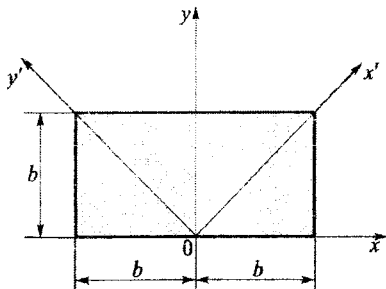


Fig. 1 Rectangle for which every axis (in the plane of the area) through point O is a principal axis

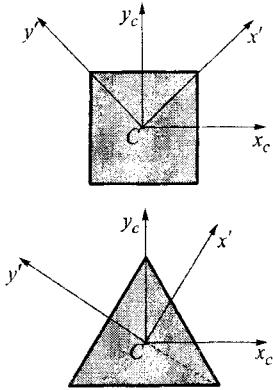


Fig. 2 Examples of areas for which every centroidal axis is a principal axis and the centroid C is a principal point (a square and an equilateral triangle)

every such axis has the same moment of inertia.

If an area has three different axes of symmetry, even if two of them are perpendicular, the conditions described in the preceding paragraph are automatically fulfilled. Therefore, if an area has three or more axes of symmetry, the centroid is a principal point and every axis through the centroid is a principal axis and has the same moment of inertia. These conditions are fulfilled for a circle, for all regular polygons (equilateral triangle, square, regular pentagon, regular hexagon, and so on), and for many other symmetric shapes.

(because the triangles are symmetrically located with respect to the x' and y' axes). It follows that every pair of axes through O is a set of principal axes and every moment of inertia is the same (and equal to $2b^4/3$). Therefore, point O is a principal point for the rectangle. (A second principal point is located where the y axis intersects the upper side of the rectangle.)

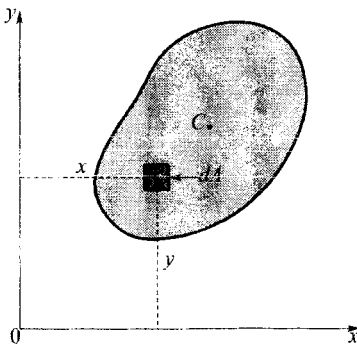
Two examples, a square and an equilateral triangle, are shown in Fig. 2. In each case the x, y axes are principal centroidal axes because their origin is at the centroid C and at least one of the two axes is an axis of symmetry. In addition, a second pair of centroidal axes (the x', y' axes) has at least one axis of symmetry. It follows that both the x, y and x', y' axes are principal axes. Therefore, every axis through the centroid C is a principal axis, and

Product of inertia

Центробежный момент инерции

Відцентровий момент інерції

МОМЕНТ



Plane area of an arbitrary shape

The product of inertia of a plane area is defined with respect to a set of perpendicular axes lying in the plane of the area. Thus, referring to the area shown in figure, we define the **product of inertia** with respect to the x and y axes as follows:

$$I_{xy} = \int xy dA.$$

From this definition we see that each differential element of area dA is multiplied by the product of its coordinates. As a consequence, products of inertia may be positive, negative, or zero, depending upon the position of the x, y axes with respect to the area. If the area lies entirely in the first quadrant of the axes as in figure, then the product of inertia is positive because every element dA has positive coordinates x and y . If the

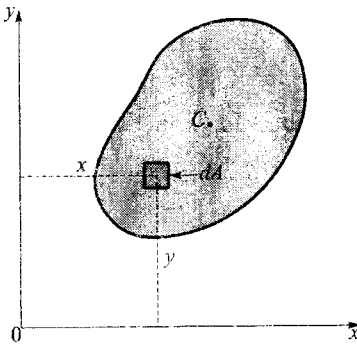
area lies entirely in the second quadrant, the product of inertia is negative because every element has a positive y coordinate and a negative x coordinate. Similarly, areas entirely within the third and fourth quadrants have positive and negative products of inertia, respectively. When the area is located in more than one quadrant, the sign of the product of inertia depends upon the distribution of the area within the quadrants.

Note: The product of inertia of an area is zero with respect to any pair of axes in which at least one axis is an axis of symmetry of the area.

Radius of gyration

Радиус инерции

Радіус інерції



Plane area of an arbitrary shape

Radius of gyration of a plane area is defined as the square root of the moment of inertia of the area divided by the area itself:

$$r_x = \sqrt{\frac{I_x}{A}}, r_y = \sqrt{\frac{I_y}{A}},$$

in which r_x and r_y denote the radii of gyration with respect to the x and y axes, respectively. Since moment of inertia has units of length to the fourth power and area has units of length to the second power, radius of gyration has units of length.

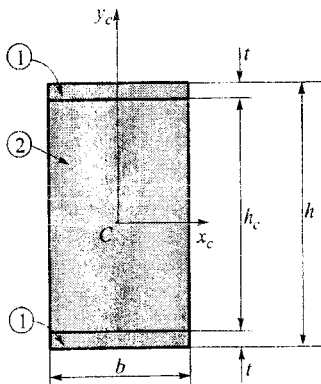
For example, the radius of gyration for the circular area is

$$i_y = i_x = \sqrt{\frac{\pi d^4 / 64}{\pi d^2 / 4}} = \frac{d}{4}.$$

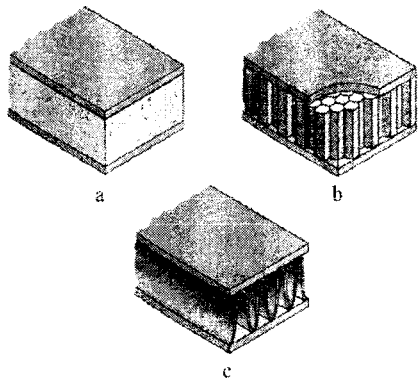
Sandwich cross section

Составное многослойное поперечное сечение

Складений багатослойний поперечний переріз



Cross section of a sandwich beam having two axes of symmetry (doubly symmetric cross section), 1 – faces, 2 – core



Sandwich beams with: (a) plastic core, (b) honeycomb core, and (c) corrugated core

Second moment (of a plane area) (see axial moment of inertia (of a plane area))

Второй момент (площади)

Другий момент (площі)

Section(al) modulus (of the cross section)

Момент сопро­тивле­ния (поперечного сече­ния)

Момент опору (поперечного пере­різу)

Section(al) modulus is a property of a cross sectional shape, which depends on shape, and orientation. Section modulus is usually denoted W , and $W = I/C$, where I is the moment of inertia about an axis through the centroid, and C is the distance from the centroid to the extreme edge of the section.

The maximum tensile and compressive bending stresses acting at any given cross section occur at points located farthest from the neutral axis. Let us denote by C_1 and C_2 the distances from the neutral axis to the extreme elements in the positive and negative y directions, respectively (Fig. 1). Then the corresponding **maximum normal** stresses σ_1 and σ_2 (from the flexure formula) are

$$\sigma_1 = -\frac{MC_1}{I} = -\frac{M}{W_1}, \quad \sigma_2 = \frac{MC_2}{I} = \frac{M}{W_2};$$

$$W_1 = \frac{I}{C_1}, \quad W_2 = \frac{I}{C_2}.$$

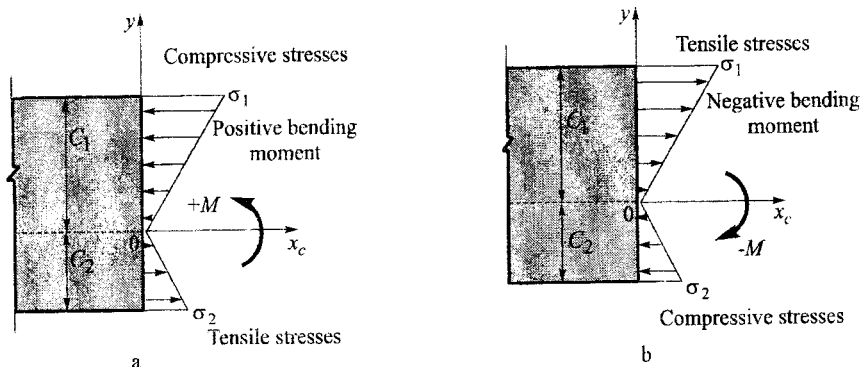


Fig. 1 Relationships between signs of bending moments and directions of normal stresses: (a) positive bending moment, and (b) negative bending moment

The quantities W_1 and W_2 are known as the **section moduli** of the cross-sectional area. Each section modulus has dimensions of length to the third power (for example, m^3).

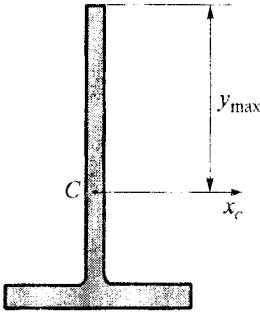


Fig. 2 T-beam cross section with the distance y_{\max} from the extremely loaded layer to the neutral axis x_c

Note that the distances C_1 , and C_2 to the top and bottom of the beam are always taken as positive quantities.

Note: in Ukraine the section modulus is determined by the formula

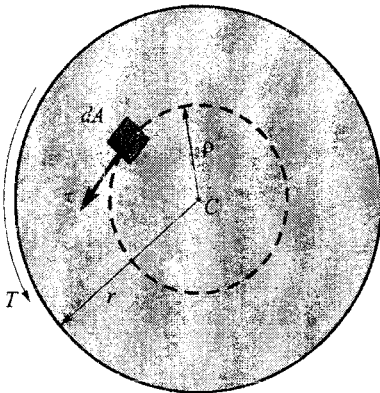
$$W_x = \frac{I_x}{y_{\max}},$$

where y_{\max} is the distance from the extremely loaded layer of the beam to the neutral axis (Fig. 2).

Section(al) modulus of torsion

Полярный момент со-
противления

Полярний момент опоры



Circular cross section in torsion produced by torque moment T

Section(al) modulus of torsion is a property of a circular cross sectional shape, which depends on dimension of a circle. Sectional modulus of torsion is usually denoted W_ρ , and

$$W_\rho = \frac{I_\rho}{\rho_{\max}} = \frac{I_\rho}{r} = \frac{\pi d^3}{16},$$

where $I_\rho = \int_A \rho^2 dA$ – polar moment of inertia,

and r – is the distance from the centroid to the extreme points of section (radius) (see figure).

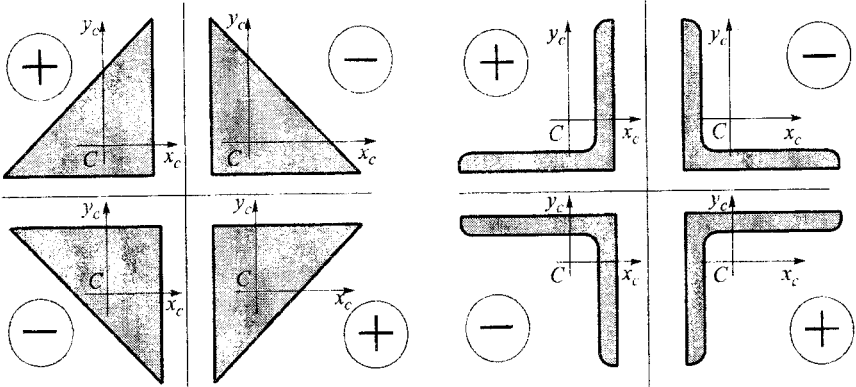
This term is used to determine the maximum shear stresses in torsion of a solid circular shaft from the torsion formula

$$\tau_{\max} = \frac{Tr}{I_\rho} = \frac{T}{W_\rho}.$$

Sign conventions for a product of inertia

Правило знаков для центробежного момента інерції

Правило знаків для відцентрового моменту інерції

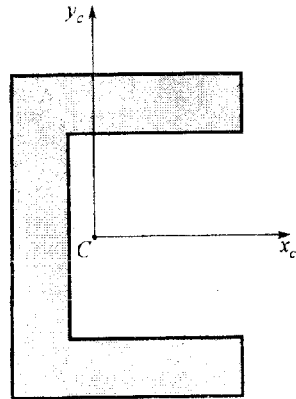
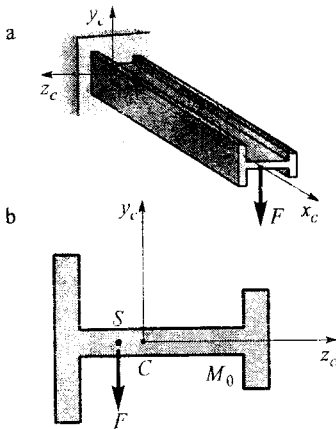


Orientation of a right triangle and equilegs angle relative to the system of central axes x_c, y_c

Singly symmetric cross section (syn. cross section with one axis of symmetry)

Поперечне сечення с однією осью симетрії

Поперечний переріз з однією віссю симетрії



Cantilever beam with singly symmetric cross section: (a) beam with load, and (b) cross section of beam showing centroid C and shear center S

Channel singly symmetric cross section

Static moment (of a plane area) (see first moment of a plane area))

Статический момент (площади)

момент

Статичний момент (площі)

Steiner's theorem (see parallel-axis theorem for axial moments of inertia, parallel axis theorem for polar moment of inertia, parallel axis theorem for product of inertia)

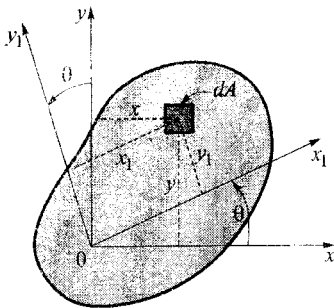
Стейнера теорема

Стейнера теорема

Transformation equations for axial moments and products of inertia

Уравнения для преобразования осевых и центрального моментов инерции при повороте осей

Рівняння для перетворення осьових і відцентрового моментів інерції при повороті осей



Rotation of axes

In consideration of the anticlockwise and chosen as positive rotation of the pair of axes x, y ; the next formulas are used to determine the moments and product of inertia:

$$I_x = \int y^2 dA, \quad I_y = \int x^2 dA, \quad I_{xy} = \int xy dA; \quad (1)$$

$$x_1 = x \cos \theta + y \sin \theta, \quad (2)$$

$$y_1 = y \cos \theta - x \sin \theta,$$

$$I_{x_1} = I_x \cos^2 \theta + I_y \sin^2 \theta - 2I_{xy} \sin \theta \cos \theta, \quad (3)$$

$$I_{x_1} = \frac{I_x + I_y}{2} + \frac{I_x - I_y}{2} \cos 2\theta - I_{xy} \sin 2\theta, \quad (4)$$

$$I_{x_1 y_1} = \frac{I_x - I_y}{2} \sin 2\theta + I_{xy} \cos 2\theta, \quad (5)$$

$$I_{y_1} = \frac{I_x + I_y}{2} - \frac{I_x - I_y}{2} \cos 2\theta + I_{xy} \sin 2\theta. \quad (6)$$

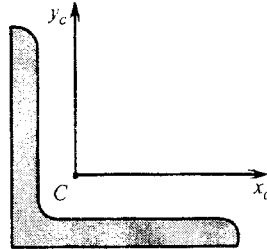
Eqs. (4) and (5) give the axial moment of inertia I_{x_1} and the product of inertia $I_{x_1 y_1}$ with respect to the rotated axes in terms of the moments and product of inertia for the original axes. These equations are called the **transformation equations for axial moments and products of inertia**.

Chapter 2 Simple Cross Sections

Angle section with equal legs (syn. L shape, equal-leg angle section)

Сталь прокатная угловая равнополочная (син. равнобокое уголковоє сечєннє)

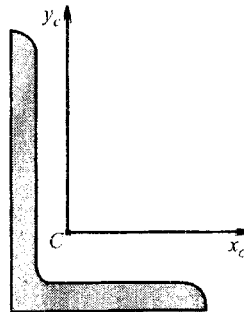
Сталь прокатна кутова рівнополочна (син. рівнобокий кутиковий переріз)



Angle section with unequal legs

Сталь прокатная угловая неравнополочная (син. неравнобокое уголковоє сечєннє, уголок неравнобокий)

Сталь прокатна кутова нерівнополочна (син. нерівнобокий кутиковий переріз, кутик нерівнобокий)

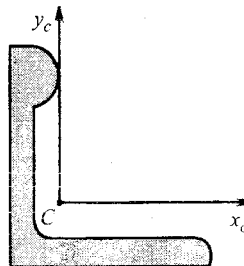


Bulb angle

Бульбовый уголок

Бульбовий кутик

A steel angle iron enlarged to a bulbous thickening at one end.



C shape (see channel section)

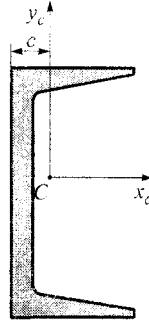
Сталь горячекатаная. Швеллеры: (син. швеллерное сечение, швеллер)

Сталь горячекатаная. Швеллери (син. швелерний переріз, швелер)

Channel section (syn. C shape)

Сталь горячекатаная.
Швеллеры (син. швеллерное сечение, швеллер)

Сталь горячекатаная. Швеллеры (син. швеллерный перерез, швелер)

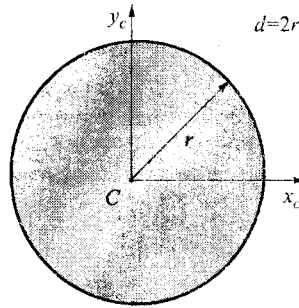


Circle

Круг

Круг

$$A = \pi r^2 = \frac{\pi d^2}{4} - \text{area.}$$



Circle with core removed

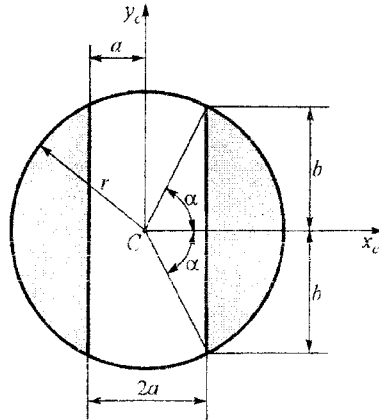
Круг с центральным отверстием

Круг с центральным отверстием

α = angle in radians,
($\alpha \leq \pi/2$),

$$\alpha = \arccos \frac{a}{r}, \quad b = \sqrt{r^2 - a^2};$$

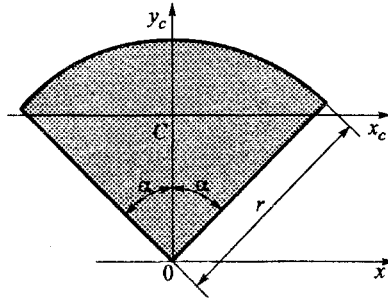
$$A = 2r^2 \left(\alpha - \frac{ab}{r^2} \right) - \text{area.}$$



Circular sector**Круговой сектор****Круговой сектор**

α = angle in radians,
 $(\alpha \leq \pi/2)$,

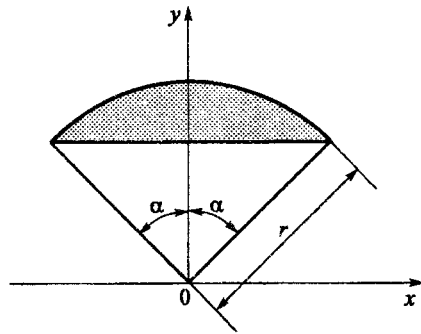
$A = \alpha r^2$ - area.

**Circular segment****Круговой сегмент****Круговой сегмент**

Origin of axes at center of
 circle,

α = angle in radians,
 $(\alpha \leq \pi/2)$,

$A = r^2(\alpha - \sin \alpha \cos \alpha)$ -
 area.

**Ellipse****Эллипс****Еліпс**

Origin of axes at centroid,

$A = \pi ab$,

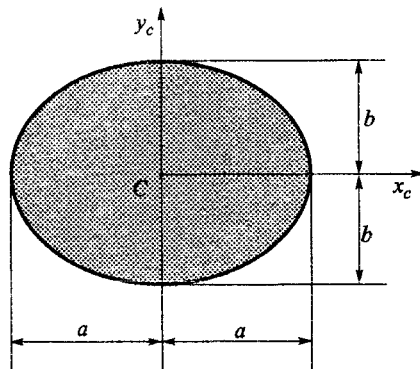
a - major axis,

b - minor axis;

Circumference \approx

$\approx \pi [1.5(a+b) - \sqrt{ab}]$ ($a/3 \leq b \leq a$) \approx

$\approx 4.17b^2/a + 4a$ ($0 \leq b \leq a/3$).



**Equal-leg angle section (see
 angle section with equal
 legs)**

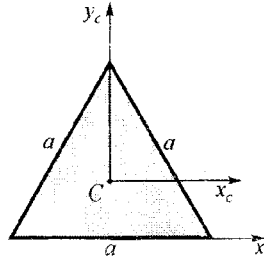
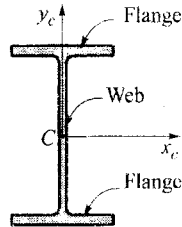
**Сталь прокатная, угло-
 вая, равнополочная**

**Сталь прокатная, кутова,
 рівнополочна**

Equilateral triangle**Равносторонний треугольник****Рівносторонній трикутник**

$$a \text{ -- side,}$$

$$A = \frac{1}{4} a^2 \sqrt{3} \text{ -- area.}$$

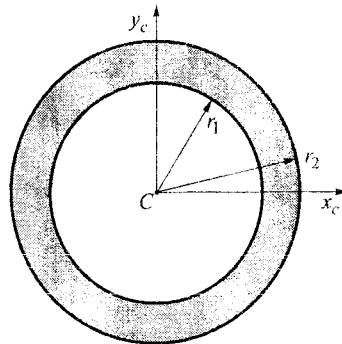
**Flange****Пояс, полка (балки двутаврового поперечного сечения)****Пояс, полиця (балки двутаврового поперечного перерізу)****Hollow box (see thin-walled tube of rectangular cross section)****Коробчатое сечение, тонкостенная труба прямоугольного сечения****Коробчастий переріз, тонкостінна труба прямокутного перерізу****Hollow circular cross section (syn. hollow circular tube)****Трубчатое поперечное сечение****Трубчастий поперечний переріз**

$$i = \pi (r_2^2 - r_1^2),$$

$$r_1 \text{ -- inner radius,}$$

$$r_2 \text{ -- outer radius,}$$

$$t = r_2 - r_1 \text{ -- thickness.}$$

**Hollow circular tube (see hollow circular cross section)****Полая круговая труба, трубчатое поперечное сечение****Порожниста кругова труба, трубчастий поперечний переріз**

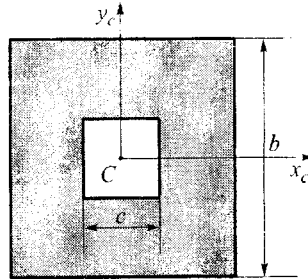
Hollow square cross section
(doubly symmetric)

Полое квадратное поперечное сечение

Пустотілий квадратний поперечний переріз

$$A = b^2 - c^2 - \text{area,}$$

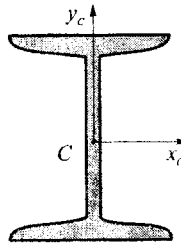
$$C - \text{centroid.}$$



I-beam section
(syn. S-shape) (AISC)

Двутавровое поперечное сечение (прокат) (Американский институт стальных конструкций)

Двутавровий поперечний переріз (прокат) (Американський інститут сталених конструкцій)



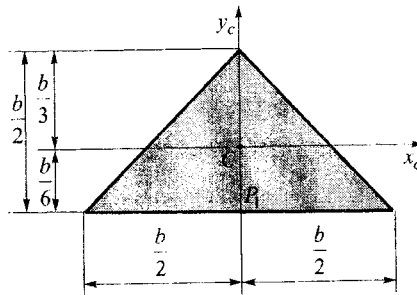
Isosceles right triangle

Равнобедренный прямоугольный треугольник

Рівнобедрений прямокутний трикутник

$$A = \frac{b^2}{4} - \text{area,}$$

$$C - \text{centroid.}$$



Isosceles trapezoid

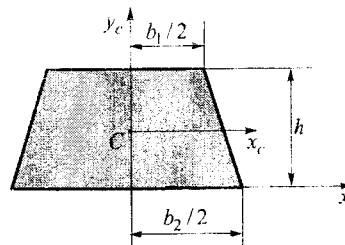
Равнобокая трапеция

Рівнобока трапеція

$$A = \frac{h(b_1 + b_2)}{2} - \text{area,}$$

$$C - \text{centroid,}$$

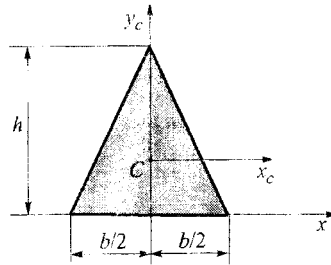
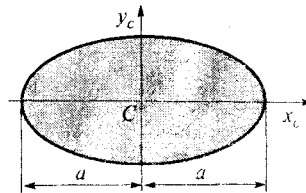
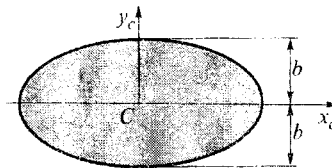
$$h - \text{height.}$$



Isosceles triangle**Равнобедренный
треугольник****Рівнобедрений трикутник**

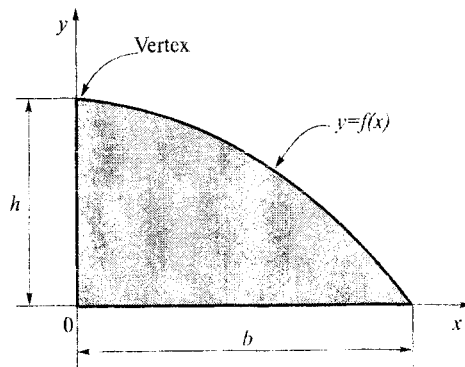
$$A = bh/2 - \text{area.}$$

h - height,
 b - width.

**L shape (see angle section
with equal legs)****Сталь прокатная угловая
равнополочная****Сталь прокатна кутова
рівноплічна****Major axis of ellipse****Большая ось эллипса****Велика вісь еліпса****Minor axis of ellipse****Малая ось эллипса****Мала вісь еліпса****Parabolic semisegment****Параболический полусегмент,
полусегмент параболы****Параболічний півсегмент,
півсегмент параболи**

$$y = f(x) = h \left(1 - \frac{x^2}{b^2} \right)$$

$$A = \frac{2bh}{3} - \text{area.}$$



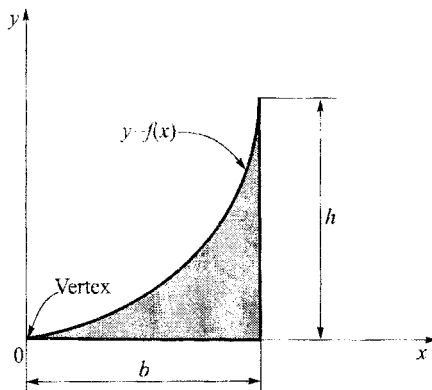
Parabolic spandrel

Площадь, ограниченная параболой, подсводное пространство параболы, "параболический треугольник"

Площа, обмежена параболою, підсклепінний простір параболы "параболічний трикутник"

$$y = f(x) = \frac{hx^2}{b^2},$$

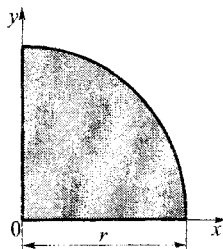
$$A = \frac{bh}{3} - \text{area.}$$

**Quarter circle**

Четверть круга

Чверть круга

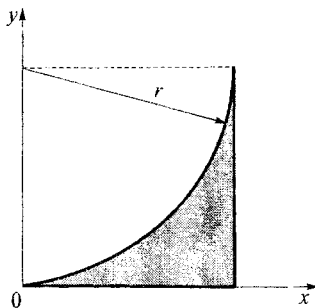
$$A = \frac{\pi r^2}{4} - \text{area.}$$

**Quarter-circular spandrel**

Площадь, ограниченная четвертью круга, подсводное пространство четверти круга

Площа, обмежена чвертю круга, підсклепінний простір чверті круга

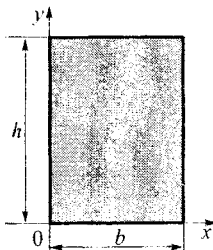
$$A = \left(1 - \frac{\pi}{4}\right)r^2 - \text{area.}$$

**Rectangle**

Прямоугольник

Прямокутник

$$A = bh - \text{area.}$$

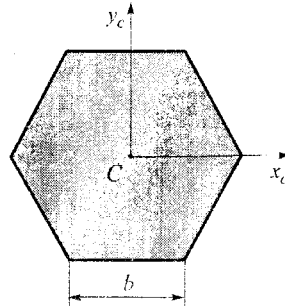


Regular hexagon

Равносторонний шести-
угольник

Рівносторонній шестикут-
ник

b - side,
 C - centroid,
 $A = \frac{3\sqrt{3}}{2} b^2$ - area.

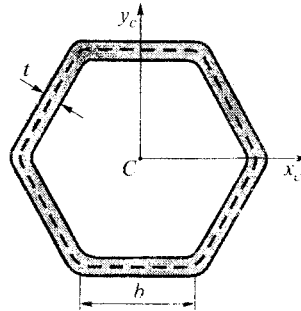


Regular hexagon hollow cross section (syn. regular hexagon tube)

Равностороннее шести-
угольное трубчатое попе-
речное сечение

Рівносторонній шестикут-
ний трубчастий попереч-
ний переріз

t - thickness,
 $A = 6bt$ - area.



Regular hexagon tube (see regular hexagon hollow cross section)

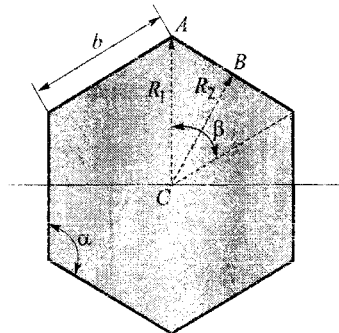
Равностороннее шести- Рівносторонній шестикут-
угольное трубчатое по- ний трубчастий переріз
перечное сечение

Regular polygon with n sides

Равносторонний много-
угольник с n сторонами

Рівносторонній багатокут-
ник з n сторонами

n - number of sides ($n \geq 3$),
 b - length of a side,
 β - central angle for a side,
 α - interior angle (or vertex
angle).



$$\beta = \frac{360^\circ}{n}, \quad \alpha = \left(\frac{n-2}{n}\right) 180^\circ, \quad \alpha + \beta = 180^\circ.$$

R_1 = radius of circumscribed circle (line CA), R_2 = radius of inscribed circle (line CB).

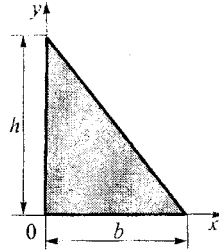
$$R_1 = \frac{b}{2} \csc \frac{\beta}{2}, \quad R_2 = \frac{b}{2} \cot \frac{\beta}{2}, \quad A = \frac{nb^2}{4} \cot \frac{\beta}{2} \text{ - area.}$$

Right triangle

Прямоугольный треугольник

Прямокутний трикутник

$$A = bh/2 \text{ -- area.}$$

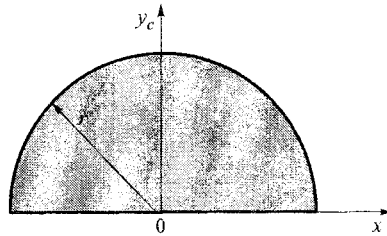
**Semicircle**

Полукруг

Півкруг

r -- radius,

$$A = \frac{\pi r^2}{2} \text{ -- area.}$$

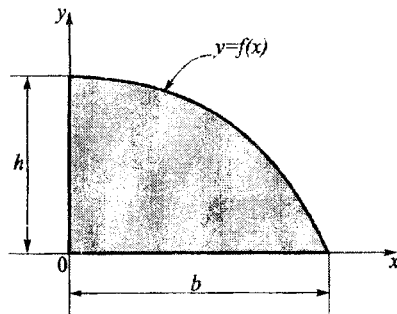
**Semisegment of n th degree**

Полусегмент n -й степени

Півсегмент n -го степеня

$$y = f(x) = h \left(1 - \frac{x^n}{b^n} \right), (n > 0);$$

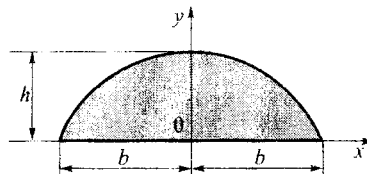
$$A = bh \left(\frac{n}{n+1} \right) \text{ -- area.}$$

**Sine wave**

(Полу)волна синусоиды

(Пів)хвиля синусоїди

$$A = \frac{4bh}{\pi} \text{ -- area.}$$



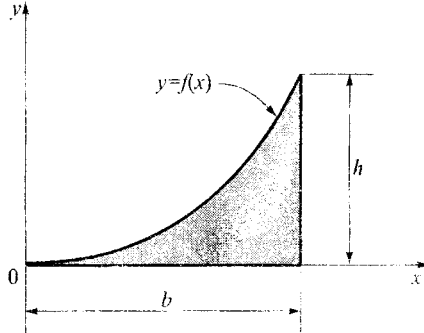
Spandrel of n th degree

Площадь, ограниченная параболой n -й степени

Площа, обмежена параболою n -го степеня

$$y = f(x) = \frac{hx^n}{b^n}, \quad (n > 0);$$

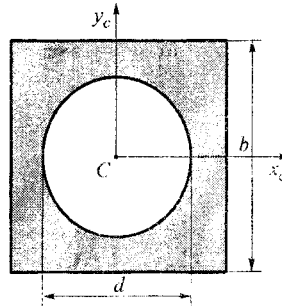
$$A = \frac{bh}{n+1} - \text{area.}$$

**Square chimney**

Квадрат с круговым вырезом

Квадрат з круговим вирізом

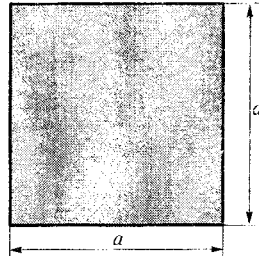
$$A = b^2 - \frac{\pi d^2}{4} - \text{area.}$$

**Square cross section, square**

Квадратное поперечное сечение, квадрат

Квадратний поперечний переріз, квадрат

$$A = a^2 - \text{area.}$$

**Square tubular cross section**

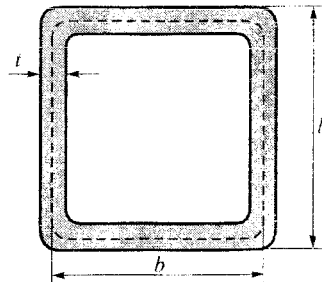
Квадратное трубчатое поперечное сечение

Квадратний трубчастий поперечний переріз

$$b - \text{width,}$$

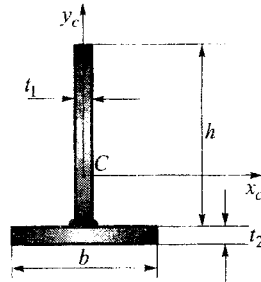
$$t - \text{thickness,}$$

$$A = 4bt - \text{area.}$$

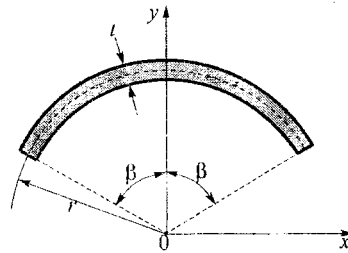


S-shape (see I-beam section)**Двутавровое поперечное сечение (прокат)****Двутавровий поперечний переріз (прокат)****T-beam****Тавровое сечение, тавр****Тавровий переріз, тавр**

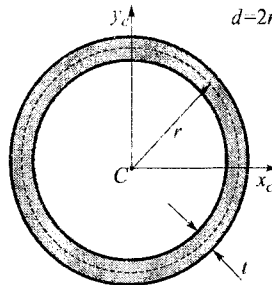
t_1 – thickness of a web,
 t_2 – thickness of a flange,
 h – height of a web,
 b – width of a flange.

**Thin circular arc****Тонкая дуга круга****Тонка дуга круга**

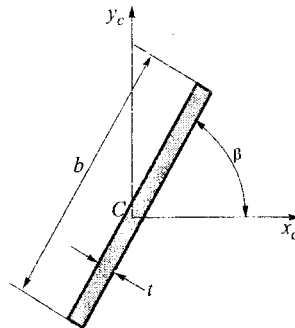
β = angle in radians,
 $(\beta \leq \pi/2)$,
 $A = 2\beta r t$ – area.

**Thin circular ring****Тонкое круговое кольцо****Тонке кругове кільце**

$A = 2\pi r t = \pi d t$,
 $d = 2r$, ($t \ll r$).

**Thin rectangle****Тонкий прямоугольник****Тонкий прямокутник**

$A = bt$ – area,
 b – length,
 t – thickness.



Thin-walled rectangular tube
(see thin-walled tube of rectangular cross section)

Прямоугольная труба
(труба прямоугольного сечения)

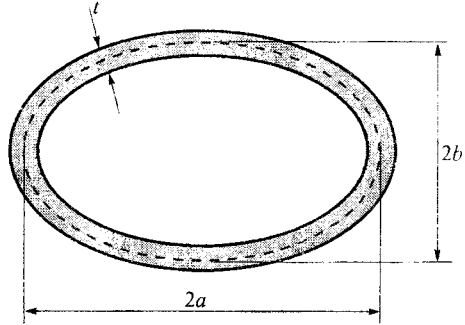
Прямокутна труба (труба прямокутного перерізу)

Thin-walled tube of elliptical cross section

Тонкостенная труба эллиптического поперечного сечения

Тонкостінна труба еліптичного поперечного перерізу

a – major axis of ellipse,
 b – minor axis of ellipse,
 t – thickness ($t \ll a, b$).

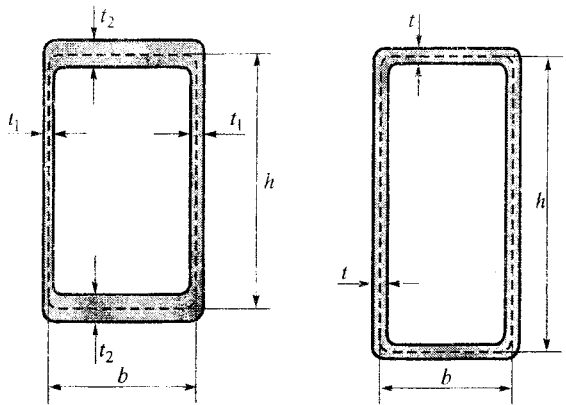


Thin-walled tube of rectangular cross section (syn. hollow box, rectangular tube, thin-walled rectangular tube)

Тонкостенная труба прямоугольного сечения

Тонкостінна труба прямокутного перерізу

t – thickness ($t = \text{const}$),
 t_1 – thickness of a web,
 t_2 – thickness of a flange,
 h – height,
 b – width.

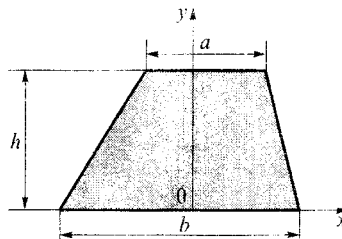


Трапеzoid

Трапеция

Трапеція

$$A = \frac{h(a+b)}{2} \text{ area.}$$

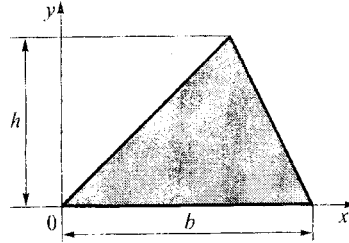


Triangle

Треугольник

Трикутник

$$A = \frac{bh}{2} \text{ -- area.}$$

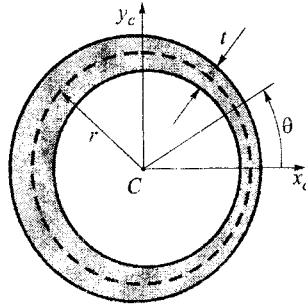


Tube with variable wall thickness

Труба с переменной толщиной стенки

Труба зі змінною товщиною стінки

$$t = t(\theta).$$

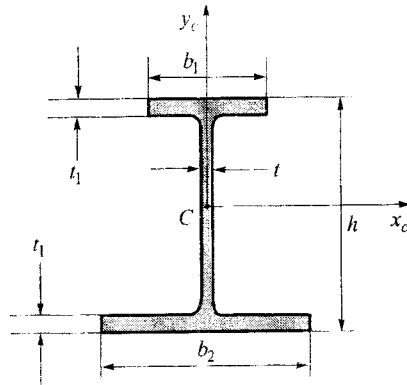


Unsymmetric I-beam

Несимметричный (разнополочный) двутавр

Несимметричний (різнополочний) двотавр

- C -- centroid,
- t -- thickness of a web,
- b_1 -- width of upper flange,
- b_2 -- width of lower flange,
- t_1 -- thickness of flanges,
- h -- height.



W shape (see wide-flange cross section)

Двутавровое широкополочное поперечное сечение

Двотавровий широкополочний поперечний переріз

Web

Стенка (тонкостенного поперечного сечения, напр., двутавра)

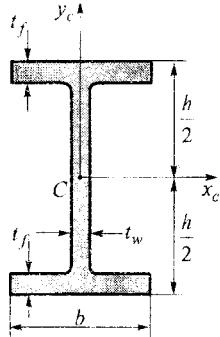
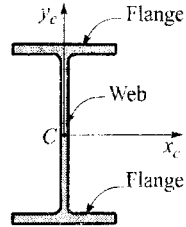
Стінка (тонкостінного поперечного перерізу, напр., двутавра)

Wide-flange cross section (syn. W shape)

Двутавровое широкополочное поперечное сечение (постоянной толщины полки)

Двутавровий широкополичний поперечний переріз (постійної товщини полиць)

$$t_w = t_f \text{ or } t_w \neq t_f.$$

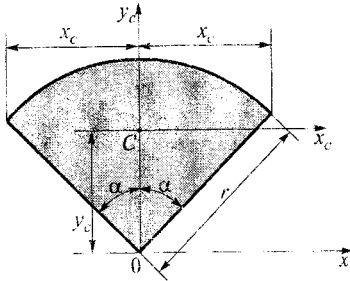


Chapter 3 Centroids of Plane Areas

Centroid of a circular sector

Центр “тяжести” кругового сектора, геометрический центр круга сектора

Центр “ваги” кругового сектора, геометрический центр кругового сектора



Centroid of a circular sector

Origin of axes at center of circle:
 α = angle in radians ($\alpha \leq \pi/2$),

$$A = \alpha r^2,$$

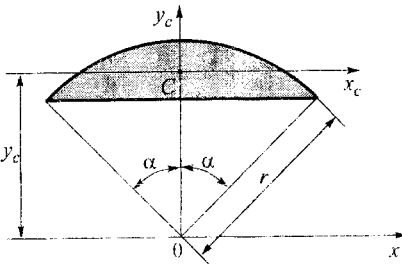
$$x_c = r \sin \alpha,$$

$$y_c = \frac{2r \sin \alpha}{3\alpha}.$$

Centroid of a circular segment

Центр “тяжести” кругового сегмента, геометрический центр кругового сегмента

Центр “ваги” кругового сегмента, геометрический центр кругового сегмента



Centroid of a circular segment

Origin of axes at center of circle:
 α = angle in radians ($\alpha \leq \pi/2$),

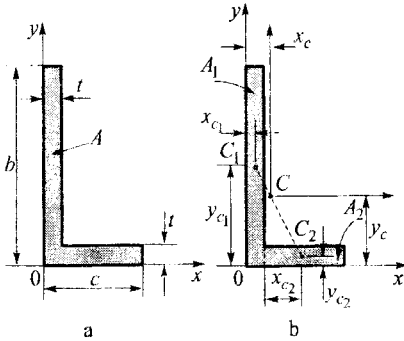
$$A = r^2(\alpha - \sin \alpha \cos \alpha),$$

$$y_c = \frac{2r}{3} \left(\frac{\sin^3 \alpha}{\alpha - \sin \alpha \cos \alpha} \right).$$

Centroid of a composite area

Центр "тяжести" составного сечения, геометрический центр составного сечения

Центр "ваги" складеного перерізу, геометричний центр складеного перерізу



Centroid of a composite area consisting of two parts

The areas and first moments of composite areas may be calculated by summing the corresponding properties of the component parts. Let us assume that a composite area is divided into a total of n parts, and let us denote the area of the i th part as A_i . Then we can obtain the area and first moments by the following summations:

$$A = \sum_{i=1}^n A_i, \quad (1)$$

$$S_x = \sum_{i=1}^n y_{c_i} A_i, \quad S_y = \sum_{i=1}^n x_{c_i} A_i; \quad (2)$$

in which x_{c_i} and y_{c_i} are the coordinates of the centroid of the i th part. The coordinates of the centroid of the composite area are

$$x_c = \frac{S_y}{A} = \frac{\sum_{i=1}^n x_{c_i} A_i}{\sum_{i=1}^n A_i}, \quad y_c = \frac{S_x}{A} = \frac{\sum_{i=1}^n y_{c_i} A_i}{\sum_{i=1}^n A_i}. \quad (3)$$

Since the composite area is represented exactly by the n parts, the preceding equations give exact results for the coordinates of the centroid. To illustrate the use of Eq. (3), consider the L -shaped area (or angle section) shown in figure a. This area has side dimensions b and c and thickness t . The area can be divided into two rectangles of areas A_1 and A_2 with centroids C_1 and C_2 , respectively (figure b). The areas and centroidal coordinates of these two parts are

$$A_1 = bt, \quad x_{c_1} = \frac{t}{2}, \quad y_{c_1} = \frac{b}{2};$$

$$A_2 = (c-t)t, \quad x_{c_2} = \frac{c-t}{2}, \quad y_{c_2} = \frac{t}{2}.$$

Therefore, the area and first moments of the composite area (from Eqs. (1) and (2)) are

$$A = A_1 + A_2 = t(b + c - t),$$

$$S_x = y_{c_1} A_1 + y_{c_2} A_2 = \frac{t}{2}(b^2 + ct - t^2),$$

$$S_y = x_{c_1} A_1 + x_{c_2} A_2 = \frac{t}{2}(bt + c^2 - t^2).$$

Finally, we can obtain the coordinates x_c and y_c of the centroid C of the composite area (Fig. 1. b) from Eq. (3):

$$x_c = \frac{S_y}{A} = \frac{bt + c^2 - t^2}{2(b+c-t)}, \quad y_c = \frac{S_x}{A} = \frac{b^2 + ct - t^2}{2(b+c-t)}. \quad (4)$$

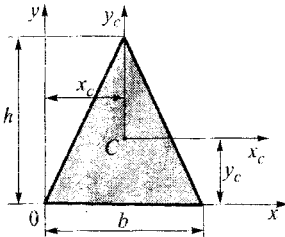
Note 1: When a composite area is divided into only two parts, the centroid C of the entire area lies on the line joining the centroids C_1 and C_2 of the two parts (as shown in Fig. 1b for the L-shaped area).

Note 2: When using the formulas for composite areas (Eqs. (1), (2) and (3)), we can handle the *absence* of an area by subtraction. This procedure is useful when there are cut-outs or holes in the figure.

Centroid of a isosceles triangle

Центр “тяжести” равнобедренного треугольника, геометрический центр равнобедренного треугольника

Центр “ваги” рівнобедреного трикутника, геометричний центр рівнобедреного трикутника



Centroid of a isosceles triangle

Origin of axes at centroid:

$$A = \frac{bh}{2},$$

$$x_c = \frac{b}{2},$$

$$y_c = \frac{h}{3}.$$

Centroid of a parabolic semisegment

Центр “тяжести” параболічного півсегмента, геометрический центр параболічного півсегмента

Центр “ваги” параболічного півсегмента, геометричний центр параболічного півсегмента

A parabolic semisegment OAB is bounded by the x axis, the y axis, and a parabolic curve having its vertex at A (figure a). The equation of the curve is

$$y = f(x) = h \left(1 - \frac{x^2}{b^2} \right), \quad (1)$$

in which b is the base and h is the height of the semisegment. Locate the centroid C of the semisegment.

To determine the coordinates x_c and y_c of the centroid C (figure a), we will use equations:

$$x_c = \frac{S_y}{A}, \quad y_c = \frac{S_x}{A}.$$

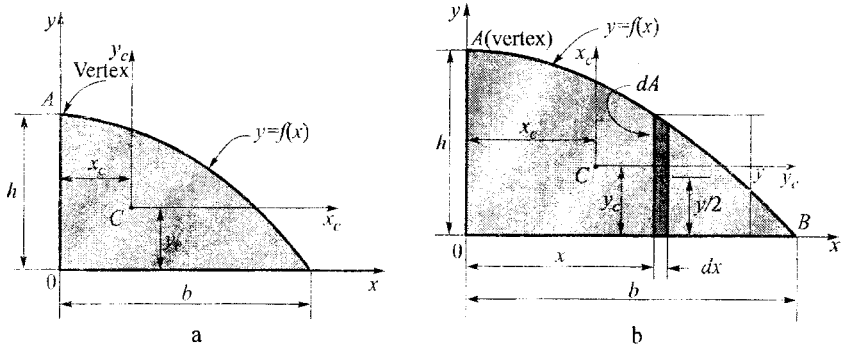
We begin by selecting an element of area dA in the form of a thin vertical strip of width dx and height y . The area of this differential element is

$$dA = ydx = h \left(1 - \frac{x^2}{b^2} \right) dx. \quad (2)$$

Therefore, the area of the parabolic semisegment is

$$A = \int_{(A)} dA = \int_0^b h \left(1 - \frac{x^2}{b^2} \right) dx = \frac{2bh}{3}. \quad (3)$$

Note: This area is 2/3 of the area of the surrounding rectangle.



Centroid of a parabolic semisegment

The first moment of an element of area dA with respect to an axis is obtained by multiplying the area of the element by the distance from its centroid to the axis. Since the x and y coordinates of the centroid of the element shown in figure b are x and $y/2$, respectively, the first moments of the element with respect to the x and y axes are

$$S_x = \int \frac{y}{2} dA = \int_0^b \frac{h}{2} \left(1 - \frac{x^2}{b^2} \right)^2 dx = \frac{4bh^2}{15}, \quad (4)$$

$$S_y = \int x dA = \int_0^b hx \left(1 - \frac{x^2}{b^2} \right) dx = \frac{b^2 h}{4}, \quad (5)$$

in which we have substituted for dA from Eq. (2).

We can now determine the coordinates of the centroid C:

$$x_c = \frac{S_y}{A} = \frac{3b}{8}, \quad (6)$$

$$y_c = \frac{S_x}{A} = \frac{2h}{5}. \quad (7)$$

Notes: The centroid C of the parabolic semisegment may also be located by taking the element of area dA as a horizontal strip of height dy and width

$$x = b\sqrt{1 - \frac{y}{h}}. \quad (8)$$

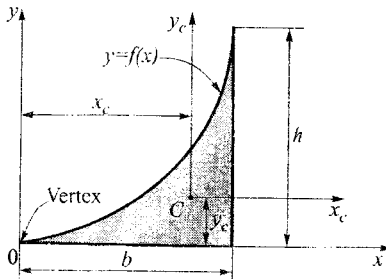
This expression is obtained by solving Eq. (1) for x in terms of y .

Another possibility is to take the differential element as a rectangle of width dx and height dy . Then the expressions for A , S_x , and S_y are in the form of double integrals instead of single integrals.

Centroid of a parabolic spandrel

Центр "тяжести" площади, ограниченной параболой, геометрический центр площади, ограниченной параболой

Центр "ваги" площі, обмеженої параболою, геометричний центр площі, обмеженої параболою



Centroid of a parabolic spandrel

Origin of axes at vertex O :

$$y = f(x) = \frac{hx^2}{b^2},$$

$$A = \frac{bh}{3},$$

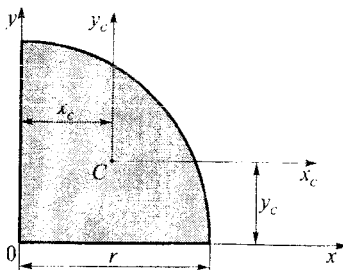
$$x_c = \frac{3b}{4},$$

$$y_c = \frac{3h}{10}.$$

Centroid of a quarter circle

Центр "тяжести" четверти круга, геометрический центр четверти круга

Центр "ваги" чверті круга, геометричний центр чверті круга



Centroid of a quarter circle

Origin of axes at center of circle O :

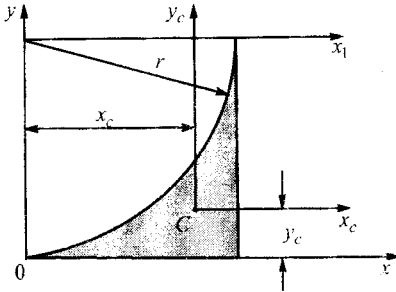
$$A = \frac{\pi r^2}{4},$$

$$x_c = y_c = \frac{4r}{3\pi}.$$

Centroid of a quarter-circular spandrel

Центр "тяжести" площади, ограниченной четвертью круга, геометрический центр площади, ограниченной четвертью круга

Центр "ваги" площі, обмеженої чвертю круга, геометричний центр площі, обмеженої чвертю круга



Centroid of a quarter-circular spandrel

Origin of axes at point of tangency:

$$A = \left(1 - \frac{\pi}{4}\right)r^2,$$

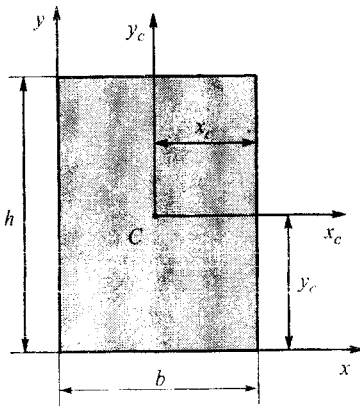
$$x_c = \frac{2r}{3(4-\pi)} \approx 0.7766 r,$$

$$y_c = \frac{(10-3\pi)r}{3(4-\pi)} \approx 0.2234 r.$$

centroid of a rectangle

центр "тяжести" прямоугольника, геометрический центр прямоугольника

центр "ваги" прямокутника, геометричний центр прямокутника



Centroid of a rectangle

Origin of axes at centroid:

$$A = bh,$$

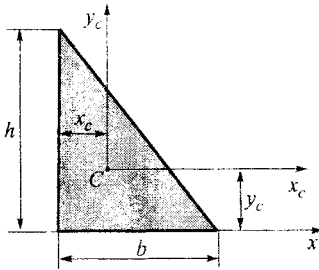
$$x_c = \frac{b}{2},$$

$$y_c = \frac{h}{2}.$$

Centroid of a right triangle

Центр "тяжести" прямоугольного треугольника, геометрический центр прямоугольного треугольника

Центр "ваги" прямокутного трикутника, геометричний центр прямокутного трикутника



Centroid of a right triangle

Origin of axes at centroid:

$$A = \frac{bh}{2},$$

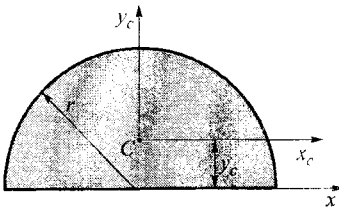
$$x_c = \frac{b}{3},$$

$$y_c = \frac{h}{3}.$$

Centroid of a semicircle

Центр "тяжести" полукруга, геометрический центр полукруга

Центр "ваги" півкруга, геометричний центр півкруга



Centroid of a semicircle

Origin of axes at centroid:

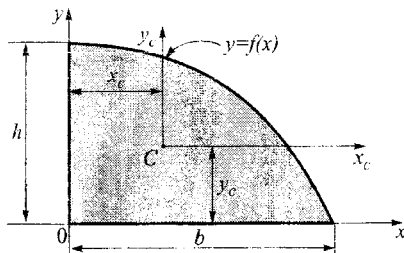
$$A = \frac{\pi r^2}{2},$$

$$y_c = \frac{4r}{3\pi}.$$

Centroid of a semisegment of n th degree

Центр "тяжести" полусегмента n-й степени, геометрический центр полусегмента n-й степени

Центр "ваги" напівсегмента n-го степеня, геометричний центр напівсегмента n-го степеня



Centroid of a semisegment of n th degree

Origin of axes at corner:

$$y = f(x) = h \left(1 - \frac{x^n}{b^n} \right), \quad (n > 0);$$

$$A = bh \left(\frac{n}{n+1} \right),$$

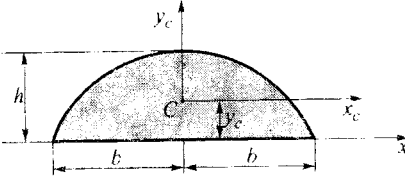
$$x_c = \frac{b(n+1)}{2(n+2)},$$

$$y_c = \frac{hn}{2n+1}.$$

Centroid of a sine wave

Центр “тяжести” (полу)волны синуса, геометрический центр (полу)волны синуса

Центр “ваги” (пів)хвилі синуса, геометричний центр (пів)хвилі синуса



Centroid of a sine wave

Origin of axes at centroid:

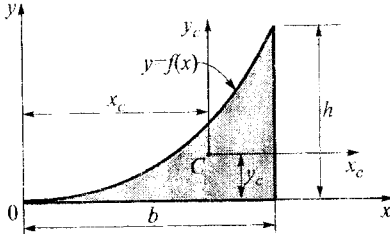
$$A = \frac{4bh}{\pi},$$

$$y_c = \frac{\pi h}{8}.$$

Centroid of a spandrel of n th degree

Центр “тяжести” площади, ограниченной параболой n-й степени, геометрический центр площади, ограниченной параболой n-й степени

Центр “ваги” площі, обмеженої параболою n-го степеня, геометричний центр площі, обмеженої параболою n-го степеня



Centroid of a spandrel of n th degree

Origin of axes at point of tangency:

$$y = f(x) = \frac{hx^n}{b^n}, \quad (n > 0);$$

$$A = \frac{bh}{n+1},$$

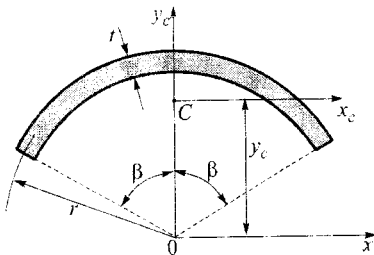
$$x_c = \frac{b(n+1)}{n+2},$$

$$y_c = \frac{h(n+1)}{2(2n+1)}.$$

Centroid of a thin circular arc

Центр “тяжести” дуги тонкого кругового кольца, геометрический центр дуги тонкого кругового кольца

Центр “ваги” дуги тонкого кругового кільця, геометричний центр дуги тонкого кругового кільця



Centroid of a thin circular arc

Origin of axes at center of circle.

Approximate formulas for case when t is small:

β angle in radians, ($\beta \leq \pi/2$);

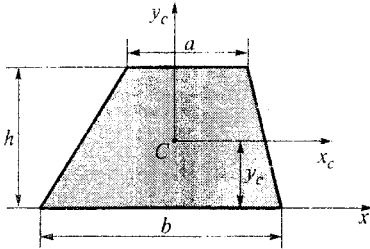
$$A = 2\beta r t,$$

$$y_c = \frac{r \sin \beta}{\beta}.$$

Centroid of a trapezoid

Центр “тяжести” трапеции, геометрический центр трапеции

Центр “ваги” трапеції, геометричний центр трапеції



Centroid of a trapezoid

Origin of axes at centroid:

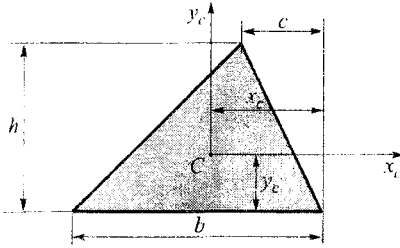
$$A = \frac{h(a+b)}{2},$$

$$y_c = \frac{h(2a+b)}{3(a+b)}.$$

Centroid of a triangle

Центр “тяжести” треугольника, геометрический центр треугольника

Центр “ваги” трикутника, геометричний центр трикутника



Centroid of a triangle

Origin of axes at centroid:

$$A = \frac{bh}{2},$$

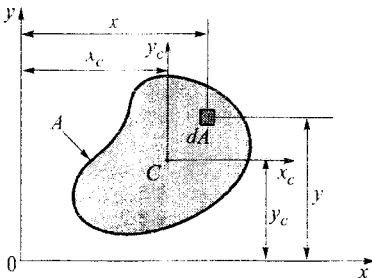
$$x_c = \frac{b+c}{3},$$

$$y_c = \frac{h}{3}.$$

Centroid of an arbitrary area

Центр “тяжести” произвольной площади, геометрический центр произвольной площади

Центр “ваги” довільної площі, геометричний центр довільної площі



Centroid of an arbitrary area

$A = \int dA$ -- area of a plane figure,

A - centroid,

x_c, y_c - coordinates of the centroid:

$$x_c = \frac{S_y}{A}, \quad y_c = \frac{S_x}{A};$$

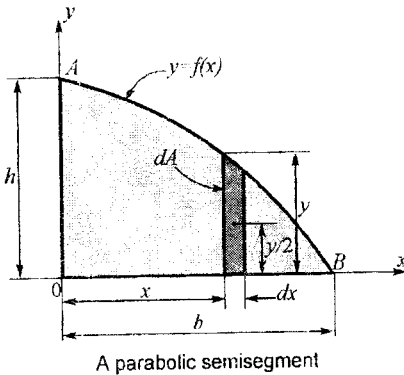
$S_y = \int x dA, \quad S_x = \int y dA$ -- first moments a plane figure.

Chapter 4 Geometrical Properties of Plane Areas

Axial moment of inertia of a parabolic semisegment

Осевой момент инерции параболического полу-сегмента

Осьовий момент інерції параболического півсегмента



Determine the moments of inertia I_x and I_y for the parabolic semisegment OAB shown in figure. The equation of the parabolic boundary is

$$y = f(x) = h \left(1 - \frac{x^2}{b^2} \right).$$

To determine the moments of inertia by integration, we will use the equation $I_y = \int_A x^2 dA$. The differential element of area dA is selected as a vertical strip of width dx and height y , as shown in figure. The area of this element is

$$dA = y dx = h \left(1 - \frac{x^2}{b^2} \right) dx.$$

Since every point in this element is at the same distance from the y axis, the moment of inertia of the element with respect to the y axis is $x^2 dA$. Therefore, the moment of inertia of the entire area with respect to the y axis is obtained as follows:

$$I_y = \int x^2 dA = \int_0^b x^2 h \left(1 - \frac{x^2}{b^2} \right) dx = \frac{2hb^3}{15}.$$

To obtain the moment of inertia with respect to the x axis, we note that the differential element of area dA has a moment of inertia dI_x with respect to the x axis equal to

$$dI_x = \frac{1}{3} (dx) y^3 = \frac{y^3}{3} dx.$$

Hence, the moment of inertia of the entire area with respect to the x axis is

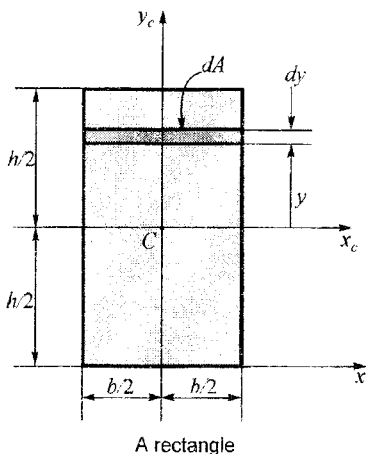
$$I_x = \int \frac{y^3}{3} dx = \int_0^b \frac{h^3}{3} \left(1 - \frac{x^2}{b^2} \right)^3 dx = \frac{16bh^3}{105}.$$

The same results for I_x and I_y can be obtained by using an element in the form of a horizontal strip of area $dA = x dy$ or by using a rectangular element of area $dA = dx dy$ and performing a double integration.

Centroidal (central) axial moment of inertia of a rectangle

Центральный осевой момент инерции прямоугольника

Центральний осьовий момент інерції прямокутника



Let's obtain unknown axial moments of inertia by integration. For this we will consider a rectangle having width b and height h . The x_c and y_c axes have their origin at the centroid C . We will use a differential element of area dA in the form of a thin horizontal strip of width b and height dy (therefore, $dA = b \cdot dy$). Since all parts of the elemental strip are located at the same distance from the x axis, we can express the moment of inertia I_x with respect to the x axis as follows:

$$I_{x_c} = \int y^2 dA = \int_{-h/2}^{h/2} y^2 b dy = \frac{bh^3}{12}.$$

In a similar manner, we can use an element of area in the form of a vertical strip with area $dA = h dx$ and obtain the moment of inertia with respect to the y axis:

$$I_{y_c} = \int x^2 dA = \int_{-b/2}^{b/2} x^2 h dx = \frac{hb^3}{12}.$$

If a different set of axes is selected, the moments of inertia will have different values. For instance, consider axis x at the base of the rectangle. If this axis is selected as the reference, we must define y as the coordinate distance from that axis to the element of area dA . Then the calculations for the moment of inertia become

$$I_x = \int y^2 dA = \int_0^h y^2 b dy = \frac{bh^3}{3}.$$

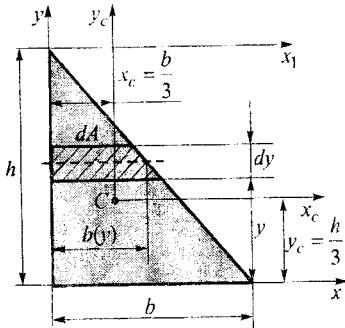
Note: The moment of inertia with respect to axis x is larger than the moment of inertia with respect to the centroidal x_c axis. In general, the moment of inertia increases as the reference axis is moved parallel to itself farther from the centroid.

Centroidal (central) moments of inertia of a straight triangle

Центральні осеві моменти інерції прямокутного трикутника

Центральні осеві моменти інерції прямокутного трикутника

To illustrate how moments of inertia are obtained by integration, we will consider a right triangle having width b and height h . The x and y axes coincide the sides of the figure. For convenience, we use a differential element of area dA in the form of a thin horizontal



A straight triangle

strip of width $b(y)$ and height dy (therefore, $dA = b(y) dy$). Since all parts of the elemental strip are located at the same distance from the x axis, we can express the moment of inertia I_x with respect to the x axis as follows:

$$I_x = \int_A y^2 dA, \text{ where } dA = b(y) dy.$$

Because

$$\frac{b(y)}{b} = \frac{h-y}{h} \rightarrow b(y) = b \left(1 - \frac{y}{h} \right),$$

$$I_x = \int_0^h b \left(1 - \frac{y}{h} \right)^2 y^2 dy = b \left(\frac{y^3}{3} - \frac{y^4}{4h} \right) \Big|_0^h = \frac{bh^3}{12}.$$

$$\text{By a similar way } I_y = \frac{hb^3}{12}.$$

If a different set of axes is selected, the moments of inertia will have different values. For instance, consider axis x_1 at the tip of the triangle. If this axis is selected as the reference, we must define y as the coordinate distance from *that* axis to the element of area dA . Then the calculations for the moment of inertia become

$$I_{x_1} = \int_A y^2 dA = \int_0^h y^2 b(y) dy = \frac{bh^3}{4}.$$

If we remember the positions of a straight triangle centroid and parallel-axis theorem for axial moments of inertia, the calculations for the centroidal moments of inertia lead to

$$I_{x_c} = I_x - A(y_c)^2 = \frac{bh^3}{12} - \frac{bh}{2} \left(\frac{h}{3} \right)^2 = \frac{bh^3}{36},$$

or

$$I_{x_c} = I_{x_1} - A(h - y_c)^2 = \frac{bh^3}{4} - \frac{bh}{2} \left(h - \frac{h}{3} \right)^2 = \frac{bh^3}{36}.$$

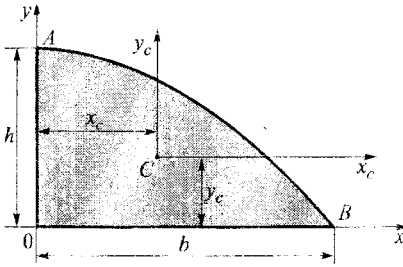
$$\text{By a similar way } I_{y_c} = \frac{bh^3}{36}.$$

Note: The moments of inertia with respect to axes x and x_1 are larger than the moment of inertia with respect to the centroidal x_c axis. In general, the moment of inertia increases as the reference axis is moved parallel to itself farther from the centroid.

Centroidal axial moments of inertia of a parabolic semisegment

Центральні осеві моменти інерції параболічного півсегмента

Центральні осеві моменти інерції параболічного півсегмента



A parabolic semisegment

The parabolic semisegment *OAB* shown in figure has base *b* and height *h*. Using the parallel-axis theorem, determine the moments of inertia I_{x_c} and I_{y_c} with respect to the centroidal axes x_c and y_c .

We can use the parallel-axis theorem (rather than integration) to find the centroidal moments of inertia because we already know the area *A*, the centroidal coordinates x_c and y_c , and the moments of inertia I_x and I_y with respect to the *x* and *y* axes. These quantities may be obtained by integration (see **axial moment of inertia of a parabolic semisegment**). They are repeated here:

$$A = \frac{2bh}{3}, \quad x_c = \frac{3b}{8}, \quad y_c = \frac{2h}{5}, \quad I_x = \frac{16bh^3}{105}, \quad I_y = \frac{2hb^3}{15}.$$

To obtain the moment of inertia with respect to the x_c axis, we write the parallel-axis theorem as follows:

$$I_x = I_{x_c} + Ay_c^2.$$

Therefore, the moment of inertia I_{x_c} is

$$I_{x_c} = I_x - Ay_c^2 = \frac{16bh^3}{105} - \frac{2bh}{3} \left(\frac{2h}{5}\right)^2 = \frac{8bh^3}{175}.$$

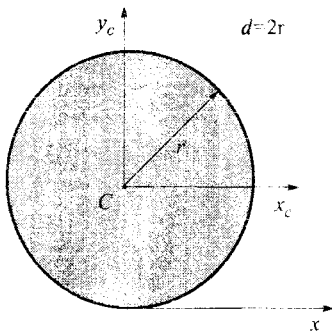
In a similar manner, we obtain the moment of inertia with respect to the y_c axis:

$$I_{y_c} = I_y - Ax_c^2 = \frac{2hb^3}{15} - \frac{2bh}{3} \left(\frac{3b}{8}\right)^2 = \frac{19hb^3}{480}.$$

Geometrical properties of a circle

Геометрические характеристики круга

Геометричні характеристики круга



A circle

Origin of axes at center of circle:

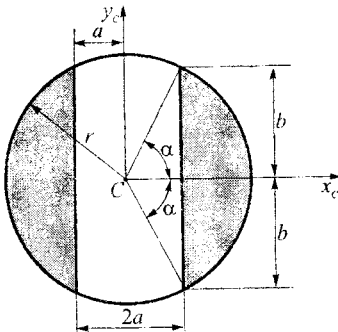
$$A = \pi r^2 = \frac{\pi d^2}{4},$$

$$I_{x_c} = I_{y_c} = \frac{\pi r^4}{4} = \frac{\pi d^4}{64},$$

$$I_{xy} = 0,$$

$$I_p = \frac{\pi r^4}{2} = \frac{\pi d^4}{32},$$

$$I_x = \frac{5\pi r^4}{4} = \frac{5\pi d^4}{64}.$$

Geometrical properties of a circle with core removed
Геометрические характеристики круга с отверстием
Геометричні характеристики круга з отвором


A circle with core removed

Origin of axes at center of circle:

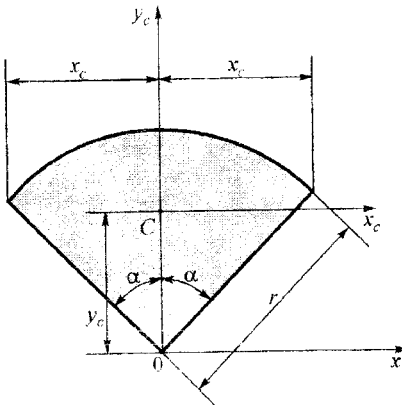
 $\alpha = \text{angle in radians, } (\alpha \leq \pi/2);$

$$\alpha = \arccos \frac{a}{r}, \quad b = \sqrt{r^2 - a^2};$$

$$A = 2r^2 \left(\alpha - \frac{ab}{r^2} \right),$$

$$I_{x_c} = \frac{r^4}{6} \left(3\alpha - \frac{3ab}{r^2} - \frac{2ab^3}{r^4} \right),$$

$$I_{x_c} = \frac{r^4}{2} \left(\alpha - \frac{ab}{r^2} - \frac{2ab^3}{r^4} \right), \quad I_{x_c y_c} = 0.$$

Geometrical properties of a circular sector
Геометрические характеристики кругового сектора
Геометричні характеристики кругового сектора


A circular sector

Origin of axes at center of circle:

 $\alpha = \text{angle in radians, } (\alpha \leq \pi/2);$

$$A = \alpha r^2, \quad x_c = r \sin \alpha, \quad y_c = \frac{2r \sin \alpha}{3\alpha};$$

$$I_{x_c} = \frac{r^4}{4} (\alpha + \sin \alpha \cos \alpha),$$

$$I_{y_c} = \frac{r^4}{4} (\alpha - \sin \alpha \cos \alpha),$$

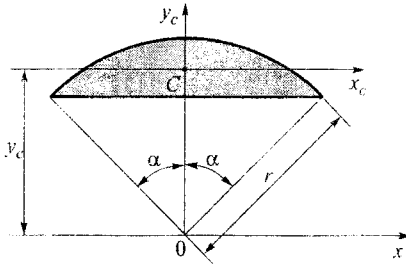
$$I_{x_c y_c} = I_{x y_c} = 0,$$

$$I_{\rho} = \frac{\alpha r^4}{2}.$$

Geometrical properties of a circular segment

Геометрические характеристики кругового сегмента

Геометричні характеристики кругового сегмента



A circular segment

Origin of axes at center of circle:
 α = angle in radians, ($\alpha \leq \pi/2$);

$$y_c = \frac{2r}{3} \left(\frac{\sin^3 \alpha}{\alpha - \sin \alpha \cos \alpha} \right),$$

$$I_x = \frac{r^4}{4} (\alpha - \sin \alpha \cos \alpha + 2 \sin^3 \alpha),$$

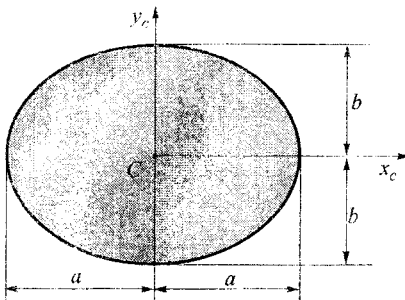
$$I_{x_c y_c} = I_{x y_c} = 0,$$

$$I_{y_c} = \frac{r^4}{12} (3\alpha - 3 \sin \alpha \cos \alpha - 2 \sin^3 \alpha \cos \alpha).$$

Geometrical properties of an ellipse

Геометрические характеристики эллипса

Геометричні характеристики еліпса



An ellipse

Origin of axes at centroid:

$$A = \pi ab,$$

$$I_{x_c} = \frac{\pi ab^3}{4}, \quad I_{y_c} = \frac{\pi ba^3}{4};$$

$$I_{x_c y_c} = 0,$$

$$I_p = \frac{\pi ab}{4} (b^2 + a^2).$$

$$\text{Circumference} \approx \pi [1.5(a+b) - \sqrt{ab}],$$

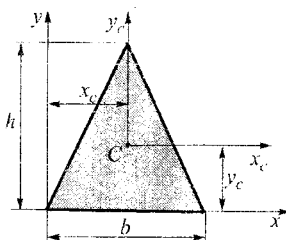
$$(a/3 \leq b \leq a),$$

$$\approx 4.17b^2/a + 4a, \quad (0 \leq b \leq a/3).$$

Geometrical properties of an isosceles triangle

Геометрические характеристики равнобедренного треугольника

Геометричні характеристики рівнобедреного трикутника



An isosceles triangle

Origin of axes at centroid:

$$A = \frac{bh}{2}, \quad x_c = \frac{b}{2}, \quad y_c = \frac{h}{3};$$

$$I_{x_c} = \frac{bh^3}{36}, \quad I_{y_c} = \frac{hb^3}{48}, \quad I_{x_c y_c} = 0;$$

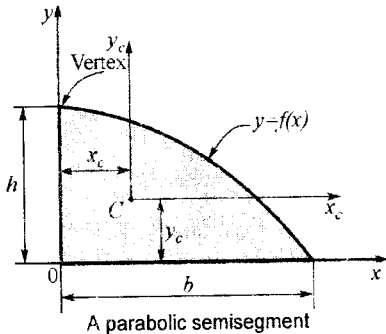
$$I_p = \frac{bh}{144} (4h^2 + 3b^2), \quad I_x = \frac{bh^3}{12}.$$

Note: For an equilateral triangle, $h = \sqrt{3}b/2$.

Geometrical properties of a parabolic semisegment (see also axial moment of inertia of a parabolic semisegment)

Геометрические характеристики параболического полусегмента

Геометричні характеристики параболического півсегмента



Origin of axes at corner:

$$y = f(x) = h \left(1 - \frac{x^2}{b^2} \right),$$

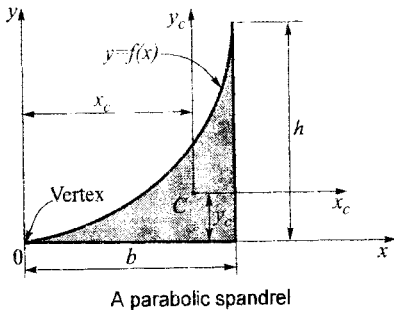
$$A = \frac{2bh}{3}, \quad x_c = \frac{3b}{8}, \quad y_c = \frac{2h}{5};$$

$$I_x = \frac{16bh^3}{105}, \quad I_y = \frac{2hb^3}{15}, \quad I_{xy} = \frac{b^2h^2}{12}.$$

Geometrical properties of a parabolic spandrel

Геометрические характеристики площади, ограниченной параболой

Геометричні характеристики площі, обмеженої параболою



Origin of axes at vertex:

$$y = f(x) = \frac{hx^3}{b^2},$$

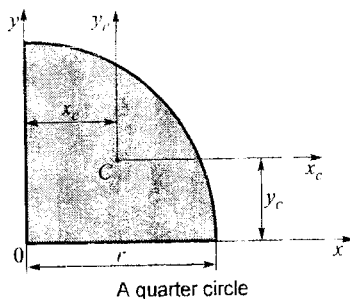
$$A = \frac{bh}{3}, \quad x_c = \frac{3b}{4}, \quad y_c = \frac{3h}{10};$$

$$I_x = \frac{bh^3}{21}, \quad I_y = \frac{hb^3}{5}, \quad I_{xy} = \frac{b^2h^2}{12}.$$

Geometrical properties of a quarter circle

Геометрические характеристики четверти круга

Геометричні характеристики чверті круга

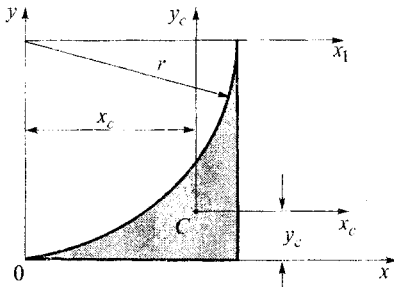


Origin of axes at center of circle:

$$A = \frac{\pi r^2}{4}, \quad x_c = y_c = \frac{4r}{3\pi};$$

$$I_x = I_y = \frac{\pi r^4}{16}, \quad I_{xy} = \frac{r^4}{8};$$

$$I_{x_c} = I_{y_c} = \frac{(9\pi^2 - 64)r^4}{144\pi} \approx 0.05488r^4.$$

Geometrical properties of a quarter-circular spandrel**Геометрические характеристики площади, ограниченной четвертью круга****Геометричні характеристики площі, обмеженої чвертю круга**

A quarter-circular spandrel

Origin of axes at point of tangency:

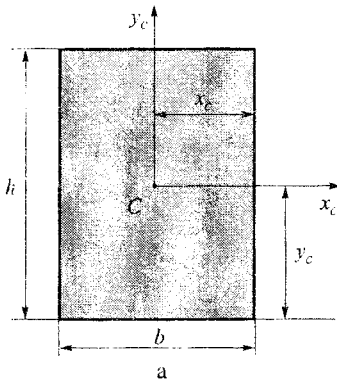
$$A = \left(1 - \frac{\pi}{4}\right)r^2,$$

$$x_c = \frac{2r}{3(4-\pi)} \approx 0.7766r,$$

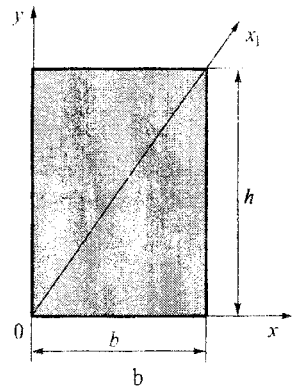
$$y_c = \frac{(10-3\pi)r}{3(4-\pi)} \approx 0.2234r,$$

$$I_x = \left(1 - \frac{5\pi}{16}\right)r^4 \approx 0.01825r^4,$$

$$I_y = I_{x_1} = \left(\frac{1}{3} - \frac{\pi}{16}\right)r^4 \approx 0.1370r^4.$$

Geometrical properties of a rectangle (see also centroidal (central) axial moment of inertia of a rectangle)**Геометрические характеристики прямоугольника****Геометричні характеристики прямокутника**

A rectangle



a) Origin of axes at centroid:

$$A = bh, \quad x_c = \frac{b}{2}, \quad y_c = \frac{h}{2};$$

$$I_{x_c} = \frac{bh^3}{12}, \quad I_{y_c} = \frac{hb^3}{12}, \quad I_{x_c y_c} = 0;$$

$$I_\rho = \frac{bh}{12}(h^2 + b^2).$$

b) Origin of axes at corner:

$$I_x = \frac{bh^3}{3}, \quad I_y = \frac{hb^3}{3}, \quad I_{xy} = \frac{b^2 h^2}{4};$$

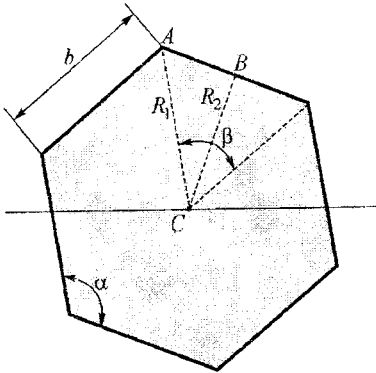
$$I_\rho = \frac{bh}{3}(h^2 + b^2),$$

$$I_{x_1} = \frac{b^3 h^3}{6(b^2 + h^2)}.$$

Geometrical properties of a regular polygon with n sides

Геометрические характеристики равностороннего многоугольника с n сторонами

Геометричні характеристики рівностороннього багатокутника з n сторонами



A regular polygon with n sides

Origin of axes at centroid:

C = centroid (at center of polygon),

n = number of sides ($n \geq 3$),

b = length of a side,

β = central angle for a side,

α = interior angle (or vertex angle),

$$\beta = \frac{360^\circ}{n}, \quad \alpha = \left(\frac{n-2}{n}\right)180^\circ, \quad \alpha + \beta = 180^\circ;$$

R_1 = radius of circumscribed circle (line CA),

R_2 = radius of inscribed circle (line CB),

R_2 = radius of inscribed circle (line CB),

$$R_1 = \frac{b}{2} \csc \frac{\beta}{2}, \quad R_2 = \frac{b}{2} \cot \frac{\beta}{2}, \quad A = \frac{nb^2}{4} \cot \frac{\beta}{2};$$

I_c -- moment of inertia about any axis

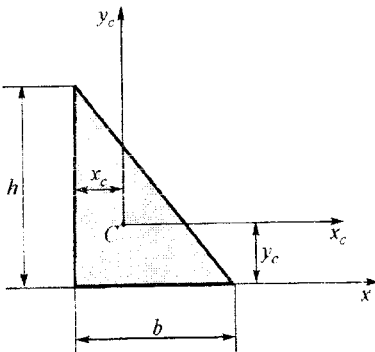
through C (the centroid C is a principal point and every axis through C is a principal axis),

$$I_c = \frac{nb^3}{192} \left(\cot \frac{\beta}{2} \right) \left(3 \cot^2 \frac{\beta}{2} + 1 \right). \quad I_p = 2I_c.$$

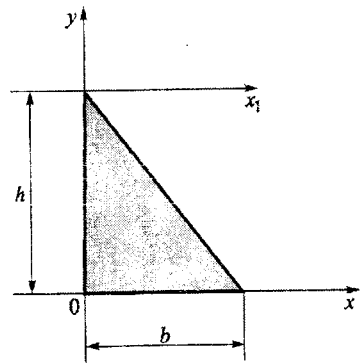
Geometrical properties of a right triangle (see also centroidal (central) moments of inertia of a straight triangle)

Геометрические характеристики прямоугольного треугольника

Геометричні характеристики прямокутного трикутника



a



b

A right triangle

a) Origin of axes at centroid:

$$A = \frac{bh}{2}, \quad x_c = \frac{h}{3}, \quad y_c = \frac{h}{3};$$

$$I_{x_c} = \frac{bh^3}{36}, \quad I_{y_c} = \frac{hb^3}{36}, \quad I_{x_c y_c} = -\frac{b^2 h^2}{72};$$

$$I_\rho = \frac{bh}{36}(h^2 + b^2), \quad I_x = \frac{bh^3}{12}.$$

b) Origin of axes at vertex:

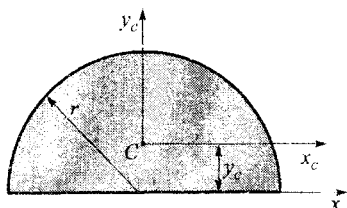
$$I_x = \frac{bh^3}{12}, \quad I_y = \frac{hb^3}{12}, \quad I_{xy} = \frac{b^2 h^2}{24};$$

$$I_\rho = \frac{bh}{12}(h^2 + b^2), \quad I_{x_1} = \frac{bh^3}{4}.$$

Geometrical properties of a semicircle

Геометрические характеристики полукруга

Геометричні характеристики півкруга



A semicircle

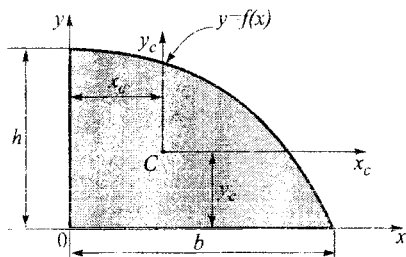
Origin of axes at centroid:

$$A = \frac{\pi r^2}{2}, \quad y_c = \frac{4r}{3\pi};$$

$$I_{x_c} = \frac{(9\pi^2 - 64)r^2}{72\pi} \approx 0.1098r^4,$$

$$I_{y_c} = \frac{\pi r^4}{8},$$

$$I_{x_c y_c} = I_{x_c y_c} = 0, \quad I_x = \frac{\pi r^4}{8}.$$

Geometrical properties of a semisegment of n th degreeГеометрические характеристики полусегмента n -й степениГеометричні характеристики півсегмента n -го степеняA semisegment of n th degree

$$y = f(x) = h \left(1 - \frac{x^n}{b^n} \right), \quad (n > 0);$$

$$A = bh \left(\frac{n}{n+1} \right), \quad x_c = \frac{b(n+1)}{2(n+2)};$$

$$y_c = \frac{hn}{2n+1};$$

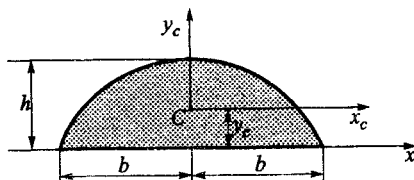
$$I_x = \frac{2bh^3 n^3}{(n+1)(2n+1)(3n+1)}, \quad I_y = \frac{hb^3 n}{3(n+3)};$$

$$I_{xy} = \frac{h^2 h^2 n^2}{4(n+1)(n+2)}.$$

Geometrical properties of a sine (half-sine) wave

Геометрические характеристики (полу)волны синусоиды

Геометричні характеристики (пів)хвилі синусоїди



A semisine wave

Origin of axes at centroid:

$$A = \frac{4bh}{\pi}, \quad y_c = \frac{\pi h}{8};$$

$$I_{x_c} = \left(\frac{8}{9\pi} - \frac{\pi}{16} \right) bh^3 \approx 0.08659bh^3,$$

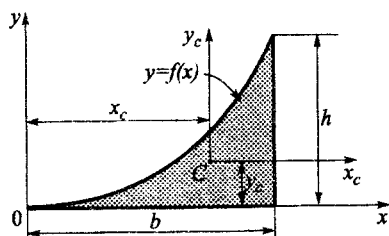
$$I_{y_c} = \left(\frac{4}{\pi} - \frac{32}{\pi^3} \right) hb^3 \approx 0.2412hb^3,$$

$$I_{x_c y_c} = I_{x y_c} = 0, \quad I_x = \frac{8bh^3}{9\pi}.$$

Geometrical properties of a spandrel of n th degree

Геометрические характеристики площади, ограниченной параболой n -й степени

Геометричні характеристики площі, обмеженої параболою n -го степеня



A spandrel of n th degree

Origin of axes at point of tangency:

$$y = f(x) = \frac{hx^n}{b^n}, \quad (n > 0);$$

$$A = \frac{bh}{n+1}, \quad x_c = \frac{b(n+1)}{n+2}, \quad y_c = \frac{h(n+1)}{2(2n+1)};$$

$$I_x = \frac{bh^3}{3(3n+1)}, \quad I_y = \frac{hb^3}{n+3}, \quad I_{xy} = \frac{b^2 h^2}{4(n+1)};$$

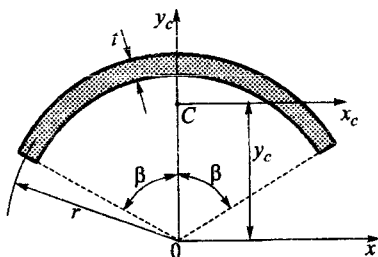
$$I_{x_c} = I_x - y_c^2 A = \frac{bh^3}{3(3n+1)} - \left[\frac{h(n+1)}{2(2n+1)} \right]^2 \frac{bh}{n+1},$$

$$I_{y_c} = I_y - x_c^2 A = \frac{hb^3}{n+3} - \left[\frac{b(n+1)}{n+2} \right]^2 \frac{bh}{n+1}.$$

Geometrical properties of a thin circular arc

Геометрические характеристики дуги тонкого кругового кольца

Геометричні характеристики дуги тонкого кругового кільця



A thin circular arc

Origin of axes at center of circle.

Approximate formulas for case when t is small:

β – angle in radians, ($\beta \leq \pi/2$);

$$A = 2\beta r t, \quad y_c = \frac{r \sin \beta}{\beta};$$

$$I_x = r^3 t (\beta + \sin \beta \cos \beta),$$

$$I_{y_c} = r^3 t (\beta - \sin \beta \cos \beta),$$

$$I_{x_c y_c} = I_{x y_c} = 0,$$

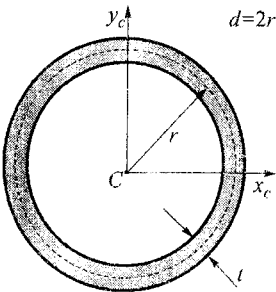
$$I_{x_c} = r^3 t \left(\frac{2\beta + \sin 2\beta}{2} - \frac{1 - \cos 2\beta}{\beta} \right).$$

Note: For a semicircular arc, ($\beta = \pi/2$).

Geometrical properties of a thin circular ring

Геометрические характеристики тонкого кругового кольца

Геометричні характеристики тонкого кругового кільця



A thin circular ring

Origin of axes at centroid.

Approximate formulas for case when t is small:

$$A = 2\pi r t = \pi d t,$$

$$I_{x_c} = I_{y_c} = \pi r^3 t = \frac{\pi d^3 t}{8},$$

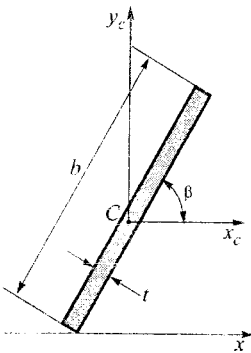
$$I_{x_c y_c} = 0,$$

$$I_{\rho} = 2\pi r^3 t = \frac{\pi d^3 t}{4}.$$

Geometrical properties of a thin rectangle

Геометрические характеристики тонкого прямоугольника

Геометричні характеристики тонкого прямокутника



A thin rectangle

Origin of axes at centroid.

Approximate formulas for case when t is small:

$$A = bt,$$

$$I_{x_c} = \frac{tb^3}{12} \sin^2 \beta,$$

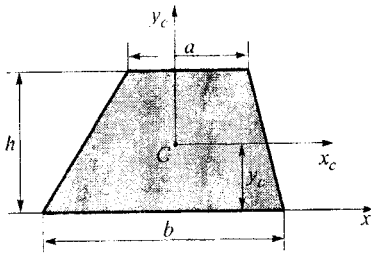
$$I_{y_c} = \frac{tb^3}{12} \cos^2 \beta,$$

$$I_x = \frac{tb^3}{3} \sin^2 \beta.$$

Geometrical properties of a trapezoid

Геометрические характеристики трапеции

Геометричні характеристики трапеції



A trapezoid

Origin of axes at centroid:

$$A = \frac{h(a+b)}{2},$$

$$y_c = \frac{h(2a+b)}{3(a+b)},$$

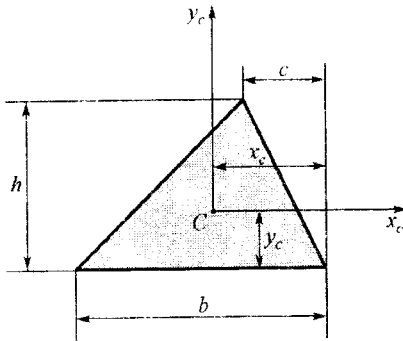
$$I_{x_c} = \frac{h^3(a^2 + 4ab + b^2)}{36(a+b)},$$

$$I_{x_c} = \frac{h^3(3a+b)}{12}.$$

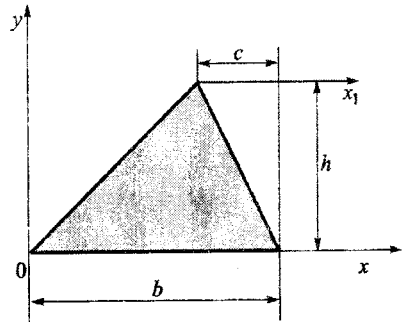
Geometrical properties of a triangle

Геометрические характеристики треугольника

Геометричні характеристики трикутника



a



b

An arbitrary triangle

a) Origin of axes at centroid:

$$A = \frac{bh}{2}, \quad x_c = \frac{b+c}{3}, \quad y_c = \frac{h}{3};$$

$$I_{x_c} = \frac{bh^3}{36}, \quad I_{y_c} = \frac{bh}{36}(b^2 - bc + c^2);$$

$$I_{x_c y_c} = \frac{bh^2}{72}(b - 2c),$$

$$I_p = \frac{bh}{36}(h^2 + b^2 - bc + c^2).$$

b) Origin of axes at vertex:

$$I_x = \frac{bh^3}{3},$$

$$I_y = \frac{bh}{12}(3b^2 - 3bc + c^2),$$

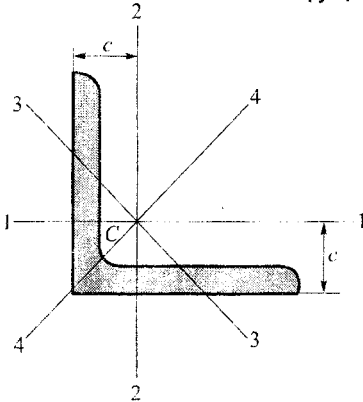
$$I_{xy} = \frac{bh^2}{24}(3b - 2c),$$

$$I_{x_1} = \frac{bh^3}{4}.$$

Geometrical properties of angle sections with equal legs (L shapes) (AISC)

Геометрические характеристики стали прокатной угловой равнополочной (стандарт Американского института стальных конструкций)

Геометричні характеристики сталі прокатної кутової рівнополочної (стандарт Американського інституту стальних конструкцій)



Notes: Axes 1-1 and 2-2 are centroidal axes parallel to the legs.

The distance c is measured from the centroid to the back of the legs.

For axes 1-1 and 2-2, the tabulated value of W is the smaller of the two section moduli for those axes.

Axes 3-3 and 4-4 are principal centroidal axes.

The moment of inertia for axis 3-3, which is the smaller of the two principal moments of inertia, can be found from the equation $I_{33} = A i_{\min}^2$.

The moment of inertia for axis 4-4, which is the larger of the two principal moments of inertia,

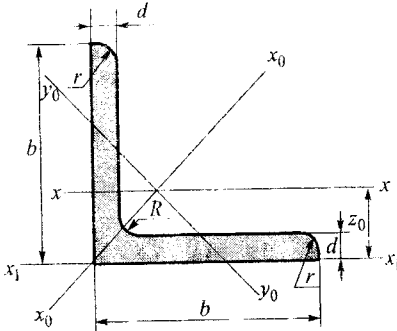
can be found from the equation $I_{44} + I_{33} = I_{11} + I_{22}$.

Designation	Weight per foot	Area	Axis 1-1 and Axis 2-2				Axis 3-3
			I	W	i	c	i_{\min}
in.	lb	in. ²	in. ⁴	in. ³	in.	in.	in.
L 8 × 8 × 1	51.0	15.0	89.0	15.8	2.44	2.37	1.56
L 8 × 8 × 3/4	38.9	11.4	69.7	12.2	2.47	2.28	1.58
L 8 × 8 × 1/2	26.4	7.75	48.6	8.36	2.50	2.19	1.59
L 6 × 6 × 1	37.4	11.0	35.5	8.57	1.80	1.86	1.17
L 6 × 6 × 3/4	28.7	8.44	28.2	6.66	1.83	1.78	1.17
L 6 × 6 × 1/2	19.6	5.75	19.9	4.61	1.86	1.68	1.18
L 5 × 5 × 7/8	27.2	7.98	17.8	5.17	1.49	1.57	0.973
L 5 × 5 × 1/2	16.2	4.75	11.3	3.16	1.54	1.43	0.983
L 5 × 5 × 3/8	12.3	3.61	8.74	2.42	1.56	1.39	0.990
L 4 × 4 × 3/4	18.5	5.44	7.67	2.81	1.19	1.27	0.778
L 4 × 4 × 1/2	12.8	3.75	5.56	1.97	1.22	1.18	0.782
L 4 × 4 × 3/8	9.8	2.86	4.36	1.52	1.23	1.14	0.788
L 3 1/2 × 3 1/2 × 3/8	8.5	2.48	2.87	1.15	1.07	1.01	0.687
L 3 1/2 × 3 1/2 × 1/4	5.8	1.69	2.01	0.794	1.09	0.968	0.694
L 3 × 3 × 1/2	9.4	2.75	2.22	1.07	0.898	0.932	0.584
L 3 × 3 × 1/4	4.9	1.44	1.24	0.577	0.930	0.842	0.592

Geometrical properties of angle sections with equal legs (L shapes) (GOST 8509-72)

Геометрические характеристики стали прокатной угловой равнополочной (ГОСТ 8509-72)

Геометричні характеристики сталі прокатної кутової рівнополочної (Держстандарт 8509-72)



b - width of web,
 d - thickness,
 I - moment of inertia,
 i - radius of gyration,
 z_0 - distance to centroid.

Designation (number)	$b \quad d$		Area, cm^2	Axes						z_0 , cm	Mass per meter, kg
	mm			$X-X$		X_0-X_0		Y_0-Y_0			
				I_x , cm^4	i_x , cm	$I_{x_0 \max}$, cm^4	$i_{x_0 \max}$, cm	$I_{y_0 \min}$, cm^4	$i_{y_0 \min}$, cm		
1	2	3	4	5	6	7	8	9	10	11	12
2	20	3	1,13	0,40	0,59	0,63	0,75	0,17	0,39	0,60	0,89
		4	1,46	0,50	0,58	0,78	0,73	0,22	0,38	0,64	1,15
2,5	25	3	1,43	0,81	0,75	1,29	0,95	0,34	0,49	0,73	1,12
		4	1,86	1,03	0,74	1,62	0,93	0,44	0,48	0,76	1,46
2,8	28	3	1,62	1,16	0,85	1,84	1,07	0,48	0,55	0,80	1,27
3,2	32	3	1,86	1,77	0,97	2,80	1,23	0,74	0,63	0,89	1,46
		4	2,43	2,26	0,96	3,58	1,21	0,94	0,62	0,94	1,91
3,6	36	3	2,10	2,56	1,10	4,06	1,39	1,06	0,71	0,99	1,65
		4	2,75	3,29	1,09	5,21	1,38	1,36	0,70	1,04	2,16
4	40	3	2,35	3,55	1,23	5,63	1,55	1,47	0,79	1,09	1,85
		4	3,08	4,58	1,22	7,26	1,53	1,90	0,78	1,13	2,42
4,5	45	5	3,79	5,53	1,20	8,75	1,54	2,30	0,79	1,17	2,97
		3	2,65	5,13	1,39	8,13	1,75	2,12	0,89	1,21	2,08
5	50	4	3,48	6,63	1,38	10,50	1,74	2,74	0,89	1,26	2,73
		5	4,29	8,03	1,37	12,70	1,72	3,33	0,88	1,30	3,37
5,6	56	3	2,96	7,11	1,55	11,30	1,95	2,95	1,00	1,33	2,32
		4	3,89	9,21	1,54	14,60	1,94	3,80	0,99	1,38	3,05
6,3	63	5	4,80	11,20	1,53	17,80	1,92	4,63	0,98	1,42	3,77
		4	4,38	13,10	1,73	20,80	2,18	5,41	1,11	1,52	3,44
6,3	63	5	5,41	16,00	1,72	25,40	2,16	6,59	1,10	1,57	4,25
		4	4,96	18,90	1,95	29,90	2,45	7,81	1,25	1,69	3,90
6,3	63	5	6,13	23,10	1,94	36,60	2,44	9,52	1,25	1,74	4,81
		6	7,28	27,10	1,93	42,90	2,43	11,20	1,24	1,78	5,72

(continued)

1	2	3	4	5	6	7	8	9	10	11	12
7	70	4,5	6,20	29,0	2,16	46,0	2,72	12,0	1,39	1,88	4,87
		5	6,86	31,9	2,16	50,7	2,72	13,2	1,39	1,90	5,38
		6	8,15	37,6	2,15	59,6	2,71	15,5	1,38	1,94	6,39
		7	9,42	43,0	2,14	68,2	2,69	17,8	1,37	1,99	7,39
7,5	75	8	10,70	48,2	2,13	76,4	2,68	20,0	1,37	2,02	8,37
		5	7,39	39,5	2,31	62,6	2,91	16,4	1,49	2,02	5,80
		6	8,78	46,6	2,30	73,9	2,90	19,3	1,48	2,06	6,89
		7	10,10	53,3	2,29	84,6	2,89	22,1	1,48	2,10	7,96
8	80	8	11,50	59,8	2,28	94,6	2,87	24,8	1,47	2,15	9,02
		9	12,80	66,1	2,27	105,0	2,86	27,5	1,46	2,18	10,10
		5,5	8,63	52,7	2,47	83,6	3,11	21,8	1,59	2,17	6,78
		6	9,38	57,0	2,47	90,4	3,11	23,5	1,58	2,19	7,36
9	90	7	10,80	65,3	2,45	104,0	3,09	27,0	1,58	2,23	8,51
		8	12,30	73,4	2,44	116,0	3,08	30,3	1,57	2,27	9,65
		6	10,60	82,1	2,78	130,0	3,50	34,0	1,79	2,43	8,33
		7	12,30	94,3	2,77	150,0	3,49	38,9	1,78	2,47	9,64
10	100	8	13,90	106,0	2,76	168,0	3,48	43,8	1,77	2,51	10,90
		9	15,60	118,0	2,75	186,0	3,46	48,6	1,77	2,55	12,20
		6,5	12,80	122,0	3,09	193,0	3,88	50,7	1,99	2,68	10,10
		7	13,80	131,0	3,08	207,0	3,88	54,2	1,98	2,71	10,80
11	110	8	15,60	147,0	3,07	233,0	3,87	60,9	1,98	2,75	12,20
		10	19,20	179,0	3,05	284,0	3,84	74,1	1,96	2,83	15,10
		12	22,80	209,0	3,03	331,0	3,81	86,9	1,95	2,91	17,90
		14	26,30	237,0	3,00	375,0	3,78	99,3	1,94	2,99	20,60
12,5	125	16	29,70	264,0	2,98	416,0	3,74	112,0	1,94	3,06	23,30
		7	15,20	176,0	3,40	279,0	4,29	72,7	2,19	2,96	11,90
		8	17,20	198,0	3,39	315,0	4,28	81,8	2,18	3,00	13,50
		8	19,7	294	3,87	467	4,87	122	2,49	3,36	15,5
14	140	9	22,0	327	3,86	520	4,86	135	2,48	3,40	17,3
		10	24,3	360	3,85	571	4,84	149	2,47	3,45	19,1
		12	28,9	422	3,82	670	4,82	174	2,46	3,53	22,7
		14	33,4	482	3,80	764	4,78	200	2,45	3,61	26,2
16	160	16	37,8	539	3,78	853	4,75	224	2,44	3,68	29,6
		9	24,7	466	4,34	739	5,47	192	2,79	3,78	19,4
		10	27,3	512	4,33	814	5,46	211	2,78	3,82	21,5
		12	32,5	602	4,31	957	5,43	248	2,76	3,90	25,5
16	160	10	31,4	774	4,96	1229	6,25	319	3,19	4,30	24,7
		11	34,4	844	4,95	1341	6,24	348	3,18	4,35	27,0
		12	37,4	913	4,94	1450	6,23	376	3,17	4,39	29,4
		14	43,3	1046	4,92	1662	6,20	431	3,16	4,47	34,0
		16	49,1	1175	4,89	1866	6,17	485	3,14	4,55	38,5
		18	54,8	1299	4,87	2061	6,13	537	3,13	4,63	43,0
20	60,4	1419	4,85	2248	6,10	589	3,12	4,70	47,4		

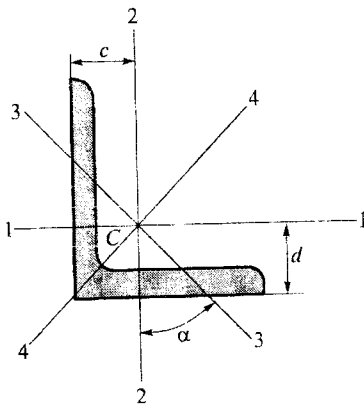
(finished)

1	2	3	4	5	6	7	8	9	10	11	12
18	180	11	38,8	1216	5,60	1133	7,06	500	3,59	4,85	30,5
		12	42,2	1317	5,59	2093	7,04	540	3,58	4,89	33,1
20	200	12	47,1	1823	6,22	2896	7,84	749	3,99	5,37	37,0
		13	50,9	1961	6,21	3116	7,83	805	3,98	5,42	39,9
		14	54,6	2097	6,20	3333	7,81	861	3,97	5,46	42,8
		16	62,0	2363	6,17	3755	7,78	970	3,96	5,54	48,7
		20	76,5	2871	6,12	4560	7,72	1182	3,93	5,70	60,1
		25	94,3	3466	6,06	5494	7,63	1438	3,91	5,89	74,0
22	220	30	111,5	4020	6,00	6351	7,55	1688	3,89	6,07	87,6
		14	60,4	2814	6,83	1170	8,60	1159	4,38	5,93	47,4
		16	68,6	3175	6,81	5045	8,58	1306	4,36	6,02	53,8
25	250	16	78,4	4717	7,76	7492	9,78	1942	4,98	6,75	61,5
		18	87,7	5247	7,73	8337	9,75	2158	4,96	6,83	68,9
		20	97,0	5765	7,71	9160	9,72	2370	4,94	6,91	76,1
		22	106,1	6270	7,69	9961	9,69	2579	4,93	7,00	83,3
		25	119,7	7006	7,65	11125	9,64	2887	4,91	7,11	94,0
		28	133,1	7717	7,61	12244	9,59	3190	4,89	7,23	104,5
		30	142,0	8177	7,59	12965	9,56	3389	4,89	7,31	111,4

Geometrical properties of angle sections with unequal legs (L shapes) (AISC)

Геометрические характеристики стали прокатной угловой неравнополочной (стандарт Американского института стальных конструкций)

Геометричні характеристики сталі прокатної кутової нерівнополочної (стандарт Американського інституту стальних конструкцій)



Notes: Axes 1-1 and 2-2 are centroidal axes parallel to the legs.

The distances c and d are measured from the centroid to the backs of the legs.

For axes 1-1 and 2-2, the tabulated value of W is the smaller of the two section moduli for those axes.

Axes 3-3 and 4-4 are principal centroidal axes.

The moment of inertia for axis 3-3, which is the smaller of the two principal moments of inertia, can be found from the equation $I_{33} = A i_{\min}^2$.

The moment of inertia for axis 4-4, which is the larger of the two principal moments of inertia,

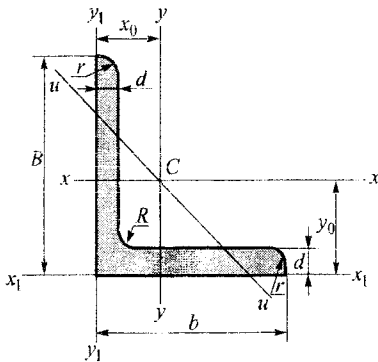
can be found from the equation $I_{44} + I_{33} = I_{11} + I_{22}$.

Designation, in.	Weight foot lb	Area in. ²	Axis 1-1				Axis 2-2				Axis 3-3	
			<i>I</i>	<i>W</i>	<i>i</i>	<i>d</i>	<i>I</i>	<i>W</i>	<i>i</i>	<i>c</i>	<i>i</i> _{min}	tan α
			in. ⁴	in. ³	in.	in.	in. ⁴	in. ³	in.	in.	in.	
L 8 × 6 × 1	44.2	13.00	80.8	15.1	2.49	2.65	38.8	8.92	1.73	1.65	1.28	0.543
L 8 × 6 × 1/2	23.0	6.75	44.3	8.02	2.56	2.47	21.7	4.79	1.79	1.47	1.30	0.558
L 7 × 4 × 3/4	26.2	7.69	37.8	8.42	2.22	2.51	9.05	3.03	L09	1.01	0.860	0.324
L 7 × 4 × 1/2	17.9	5.25	26.7	5.81	2.25	2.42	6.53	2.12	1.11	0.917	0.872	0.335
L 6 × 4 × 3/4	23.6	6.94	24.5	6.25	1.88	2.08	8.68	2.97	1.12	1.08	0.860	0.428
L 6 × 4 × 1/2	16.2	4.75	17.4	4.33	1.91	1.99	6.27	2.08	1.15	0.987	0.870	0.440
L 5 × 3 1/2 × 3/4	19.8	5.81	13.9	4.28	1.55	1.75	5.55	2.22	0.977	0.996	0.748	0.464
L 5 × 3 1/2 × 1/2	13.6	4.00	9.99	2.99	1.58	1.66	4.05	1.56	1.01	0.906	0.755	0.479
L 5 × 3 × 1/2	12.8	3.75	9.45	2.91	1.59	1.75	2.58	1.15	0.829	0.750	0.648	0.357
L 5 × 3 × 1/4	6.6	1.94	5.11	1.53	1.62	1.66	1.44	0.614	0.861	0.657	0.663	0.371
L 4 × 3 1/2 × 1/2	11.9	3.50	5.32	1.94	1.23	1.25	3.79	1.52	1.04	1.00	0.722	0.750
L 4 × 3 1/2 × 1/4	6.2	1.81	2.91	1.03	1.27	1.16	2.09	0.808	1.07	0.909	0.734	0.759
L 4 × 3 × 1/2	11.1	3.25	5.05	1.89	1.25	1.33	2.42	1.12	0.864	0.827	0.639	0.543
L 4 × 3 × 3/8	8.5	2.48	3.96	1.46	1.26	1.28	1.92	0.866	0.879	0.782	0.644	0.551
L 4 × 3 × 1/4	5.8	1.69	2.77	1.00	1.28	1.24	1.36	0.599	0.896	0.736	0.651	0.558

Geometrical properties of angle sections with unequal legs (L shapes) (GOST 8510-72)

Геометрические характеристики стали прокатной угловой неравнополочной (ГОСТ 8510-72)

Геометричні характеристики сталі прокатної кутової нерівнополочної (Держстандарт 8510-72)



- B* – width of larger leg,
- b* – width of smaller leg,
- d* – thickness of legs,
- I* – moment of inertia,
- i* – radius of gyration,
- x*₀, *y*₀ – distances from the centroid to the back of the legs.

Designation (number)	B	b	d	Area, cm ²	Axes								tan α	Mass per meter, kg	
					X - X		Y - Y		--		X ₀	Y ₀			
					<i>I_x</i> , cm ⁴	<i>i_x</i> , cm	<i>I_y</i> , cm ⁴	<i>i_y</i> , cm	<i>I_u</i> min, cm ⁴	<i>i_u</i> min, cm	cm	cm			
1	2	3	4	5	6	7	8	9	10	11	12	13	14	15	
2,5/1,6	25	16	3	1.16	0.70	0.78	0.22	0.44	0.13	0.34	0.42	0.86	0.392	0.91	
	3,2/2	32	20	3	1.49	1.52	1.01	0.46	0.55	0.28	0.43	0.49	1.08	0.382	1.17
4				1.94	1.93	1.00	0.57	0.54	0.35	0.43	0.53	1.12	0.374	1.52	
4/2,5	40	25	3	3	1.89	3.06	1.27	0.93	0.70	0.56	0.54	0.59	1.32	0.385	1.48
				4	2.47	3.93	1.26	1.18	0.69	0.71	0.54	0.63	1.37	0.381	1.94
4,5/2,8	45	28	3	3	2.14	4.41	1.43	1.32	0.79	0.79	0.61	0.64	1.47	0.382	1.68
				4	2.80	5.68	1.42	1.69	0.78	1.02	0.60	0.68	1.51	0.379	2.20
5/3,2	50	32	3	3	2.42	6.17	1.60	1.99	0.91	1.18	0.70	1.60	0.403	1.90	
				4	3.17	7.98	1.59	2.56	0.90	1.52	0.69	0.76	1.85	0.401	1.49
5,6/3,6	56	36	4	4	3.58	11.40	1.78	3.70	1.02	2.19	0.78	0.84	1.82	0.406	2.81
				5	4.41	13.80	1.77	4.48	1.01	2.66	0.78	0.88	1.86	0.404	3.46
6,3/4,0	63	40	4	4	4.04	16.30	2.01	5.16	1.13	3.07	0.87	0.91	2.03	0.397	3.17
				5	4.98	19.90	2.00	6.26	1.12	3.72	0.86	0.95	2.08	0.396	3.91
				6	5.90	23.30	1.99	7.28	1.11	4.36	0.86	0.99	2.12	0.393	4.63
				8	7.68	29.60	1.96	9.15	1.09	5.58	0.85	1.07	2.20	0.386	6.03
7/4,5	70	45	5	5	5.59	27.80	2.23	9.05	1.27	5.34	0.98	1.05	2.28	0.406	4.39
				5	6.11	34.80	2.39	12.50	1.43	7.24	1.09	1.17	2.39	0.436	4.79
7,5/5	75	50	6	6	7.25	40.90	2.38	14.60	1.42	8.48	1.08	1.21	2.44	0.435	5.69
				8	9.47	52.40	2.35	18.50	1.40	10.90	1.07	1.29	2.52	0.430	7.43
8/5	80	50	5	5	6.36	41.60	2.56	12.70	1.41	7.58	1.09	1.13	2.60	0.387	4.99
				6	7.55	49.00	2.55	14.80	1.40	8.88	1.08	1.17	2.65	0.386	5.92
9/5,6	90	56	5,5	5,5	7.86	65.3	2.88	19.7	1.58	11.8	1.22	1.26	2.92	0.384	6.17
				6,0	8.54	70.6	2.88	21.2	1.58	12.7	1.22	1.28	2.95	0.384	6.70
				8,0	11.18	90.9	2.85	27.1	1.56	16.3	1.21	1.36	3.04	0.380	8.77
				6,0	9.59	98.3	3.20	30.6	1.79	18.2	1.38	1.42	3.23	0.393	7.53
10/6,3	100	63	7,0	7,0	11.10	113.0	3.19	35.0	1.78	20.8	1.37	1.46	3.28	0.392	8.70
				8,0	12.6	127.0	3.18	39.2	1.77	23.4	1.36	1.50	3.32	0.391	9.87
				10,0	15.50	154.0	3.15	47.1	1.75	28.3	1.35	1.58	3.40	0.387	2.10
				6,5	11.40	142.0	3.53	45.6	2.00	26.9	1.53	1.58	3.55	0.402	9.98
11/7	110	70	8,0	8,0	13.90	172.0	3.51	54.6	1.98	32.3	1.52	1.64	3.61	0.400	10.90
				7,0	14.10	227.0	4.01	73.7	2.29	43.4	1.76	1.80	4.01	0.407	11.00
12,5/8	125	80	8,0	8,0	16.00	256.0	4.00	83.0	2.28	48.8	1.75	1.84	4.05	0.406	12.50
				10,0	19.70	312.0	3.98	100.0	2.26	59.3	1.74	1.92	4.14	0.404	15.50
				12,0	23.40	365.0	3.95	117.0	2.24	69.5	1.72	2.00	4.22	0.400	18.30
				8,0	18.00	364.0	4.49	120.0	2.58	70.3	1.98	2.03	4.49	0.411	14.10
14/9	140	90	10,0	10,0	22.20	444.0	4.47	146.0	2.56	58.5	1.96	2.12	4.58	0.409	17.50
				9,0	22.90	606.0	5.15	186.0	2.85	110.0	2.20	2.23	5.19	0.391	18.0
16/10	160	100	10,0	10,0	25.30	667.0	5.13	204.0	2.84	121.0	2.19	2.28	5.23	0.390	19.80
				12,0	30.00	784.0	5.11	239.0	2.82	142.0	2.18	2.36	5.32	0.388	23.60
				14,0	34.70	897.0	5.09	272.0	2.80	162.0	2.16	2.43	5.40	0.385	27.30

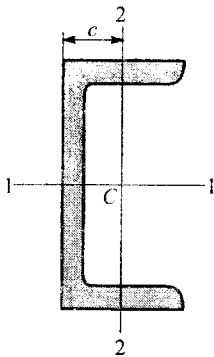
(finished)

1	2	3	4	5	6	7	8	9	10	11	12	13	14	15
18/11	180	110	10.0	28,30	952,0	5,80	276,0	3,12	165,0	2,42	2,44	5,88	0,375	22,20
20/12,5	200	125	12.0	33,70	1123	5,77	324,0	3,10	194,0	2,40	2,52	5,97	0,374	26,40
			11	34,9	1449	6,45	446	3,58	264	2,75	2,79	6,5	0,392	27,4
			12	37,9	1568	6,43	482	3,57	285	2,74	2,83	6,54	0,392	29,7
			14	43,9	1801	6,41	551	3,54	327	2,73	2,91	6,62	0,390	34,4
25/16	250	160	16	49,8	2026	6,38	617	3,52	367	2,72	2,99	6,71	0,388	39,1
			12	48,3	3147	8,07	1032	4,62	604	3,54	3,53	7,97	0,410	37,9
			16	63,6	4091	8,02	1333	4,58	781	3,50	3,69	8,14	0,408	49,9
			18	71,1	4545	7,99	1475	4,56	866	3,49	3,77	8,23	0,407	55,8
			20	78,5	4987	7,97	1613	4,53	949	3,48	3,85	8,31	0,405	67,7

Geometrical properties of channel sections (C shapes) (AISC)

Геометрические характеристики швеллерных сечений (стандарт Американского института стальных конструкций)

Геометричні характеристики швелерних перерізів (стандарт Американського інституту сталених конструкцій)



Notes: Axes 1-1 and 2-2 are principal centroidal axes.

The distance c is measured from the centroid to the back of the web.

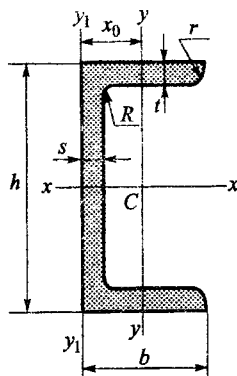
For axis 2-2, the tabulated value of W is the smaller of the two section moduli for this axis.

Designation	Weight per foot	Area	Depth	Web thickness	Flange		Axis 1-1			Axis 2-2			
					Width	Average thickness	I	W	i	I	W	i	e
1	2	3	4	5	6	7	8	9	10	11	12	13	14
C 15 × 50	50.0	14.7	15.00	0.716	3.716	0.650	404	53.8	5.24	11.0	3.78	0.867	0.798
C 15 × 40	40.0	11.8	15.00	0.520	3.520	0.650	349	46.5	5.44	9.23	3.37	0.886	0.777
C 15 × 33.9	33.9	9.96	15.00	0.400	3.400	0.650	315	42.0	5.62	8.13	3.11	0.904	0.787
C 12 × 30	30.0	8.82	12.00	0.510	3.170	0.501	162	27.0	4.29	5.14	2.06	0.763	0.674
C 12 × 25	25	7.35	12.00	0.387	3.047	0.501	144	24.1	4.43	4.47	1.88	0.780	0.674
C 12 × 20.7	20.7	6.09	12.00	0.282	2.942	0.501	129	21.5	4.61	3.88	1.73	0.799	0.698

(finished)

1	2	3	4	5	6	7	8	9	10	11	12	13	14
C 10 × 30	30.0	8.82	10.00	0.673	3.033	0.436	103	20.7	3.42	3.94	1.65	0.669	0.649
C 10 × 25	25	7.35	10.00	0.520	2.886	0.436	91.2	18.2	3.52	3.36	1.48	0.676	0.617
C 10 × 20	20.0	5.88	10.00	0.379	2.739	0.436	78.9	15.8	3.66	2.81	1.32	0.692	0.606
C 10 × 15.3	15.3	4.49	10.00	0.240	2.600	0.436	67.4	13.5	3.87	2.28	1.16	0.713	0.634
C 8 × 18.75	18.75	5.51	8.00	0.487	2.527	0.390	44.0	11.0	2.82	1.98	1.01	0.599	0.565
C 8 × 13.75	13.75	4.04	8.00	0.303	2.343	0.390	36.1	9.03	2.99	1.53	0.854	0.615	0.553
C 8 × 11.5	11.5	3.38	8.00	0.220	2.260	0.390	32.6	8.14	3.11	1.32	0.781	0.625	0.571
C 6 × 13	13.0	3.83	6.00	0.437	2.157	0.343	17.4	5.80	2.13	1.05	0.642	0.525	0.514
C 6 × 10.5	10.5	3.09	6.00	0.314	2.034	0.343	15.2	5.06	2.22	0.866	0.564	0.529	0.499
C 6 × 8.2	8.2	2.40	6.00	0.200	1.920	0.343	13.1	4.38	2.34	0.693	0.492	0.537	0.511
C 4 × 7.25	7.25	2.13	4.00	0.321	1.721	0.296	4.59	2.29	1.47	0.433	0.343	0.450	0.459
C 4 × 5.4	5.4	1.59	4.00	0.184	1.584	0.296	3.85	1.93	1.56	0.319	0.283	0.449	0.457

Geometrical properties of channel sections (C shapes) (GOST 8240-72) Геометрические характеристики швеллерных сечений (ГОСТ 8240-72) Геометричні характеристики швеллерних перерізів (Держстандарт 8240-72)



h – height of a beam,
 b – width of a flange,
 s – thickness of a web,
 t – average thickness of a flange,
 W – sectional modulus,
 i – radius of gyration,
 S_x – first moment of area,
 I – moment of inertia,
 x_0 – distance from the centroid to the back of the web.

Designation (number)	Dimensions, mm				Area, cm ²	I_x , cm ⁴	W_x , cm ³	i_x , cm	S_x , cm ³	I_y , cm ⁴	W_y , cm ³	i_y , cm	x_0 , cm	Weight per meter, kg
	h	b	s	t										
i	2	3	4	5	6	7	8	9	10	11	12	13	14	15
5	50	32	4,4	7,0	6,16	22,8	9,1	1,92	5,59	5,61	2,75	0,954	1,16	4,84
6,5	65	36	4,4	7,2	7,51	48,6	15,0	2,54	9,0	8,7	3,68	1,08	1,24	5,90
8	80	40	4,5	7,4	8,98	89,4	22,4	3,16	13,3	12,8	4,75	1,19	1,31	7,05
10	100	46	4,5	7,6	10,9	174	34,8	3,99	20,4	20,4	6,46	1,37	1,44	8,59
12	120	52	4,8	7,8	13,3	304	50,6	4,78	29,6	31,2	8,52	1,53	1,54	10,4

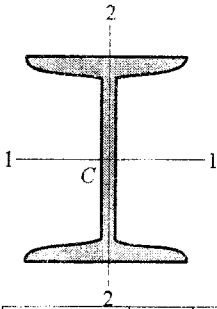
(finished)

1	2	3	4	5	6	7	8	9	10	11	12	13	14	15
14	140	58	4,9	8,1	15,6	491	70,2	5,60	40,8	45,4	11,0	1,70	1,67	12,3
14a	140	62	4,9	8,7	17,0	545	77,8	5,66	45,1	57,5	13,3	1,84	1,87	13,3
16	160	64	5,0	8,4	18,1	747	93,4	6,42	54,1	63,3	13,8	1,87	1,80	14,2
16a	160	68	5,0	9,0	19,5	823	103	6,49	59,4	78,8	16,4	2,01	2,00	15,3
18	180	70	5,1	8,7	20,7	1090	121	7,24	69,8	86	17,0	2,04	1,94	16,3
18a	180	74	5,1	9,3	22,2	1190	132	7,32	76,1	105	20,0	2,18	2,13	17,4
20	200	76	5,2	9,0	23,4	1520	152	8,07	87,8	113	20,5	2,20	2,07	18,4
20a	200	80	5,2	9,7	25,2	1670	167	8,15	95,9	139	24,2	2,35	2,28	19,8
22	220	82	5,4	9,5	26,7	2110	192	8,89	110	151	25,1	2,37	2,21	21,0
22a	220	87	5,4	10,2	28,8	2330	212	8,99	121	187	30,0	2,55	2,46	22,6
24	240	90	5,6	10,0	30,6	2900	242	9,73	139	208	31,6	2,60	2,42	24,0
24a	240	95	5,6	10,7	32,9	3180	265	9,84	151	254	37,2	2,78	2,67	25,8
27	270	95	6,0	10,5	35,2	4160	308	10,9	178	262	37,3	2,73	2,47	27,7
30	300	100	6,5	11,0	40,5	5810	387	12,0	224	327	43,6	2,84	2,52	31,8
33	330	105	7,0	11,7	46,5	7980	484	13,1	281	410	51,8	2,97	2,59	36,5
36	360	110	7,5	12,6	53,4	10820	601	14,2	350	513	61,7	3,10	2,68	41,9
40	400	115	8,0	13,5	61,5	15220	761	15,7	444	642	73,4	3,26	2,75	48,3

Geometrical properties of S shapes (I-beam sections) (AISC)

Геометрические характеристики двутавровых сечений (стандарт Американского института стальных конструкций)

Геометричні характеристики двотаврових перерізів (стандарт Американського інституту сталених конструкцій)



Note: Axes 1-1 and 2-2 are principal centroidal axes.

Designation	Weight foot	Area	Depth	Web thickness	Flange		Axis 1-1			Axis 2-2		
					Width	Average thickness	I	W	i	I	W	i
					in.	in.	in. ⁴	in. ³	in.	in. ⁴	in. ³	in.
1	2	3	4	5	6	7	8	9	10	11	12	13
S 24 × 100	100	29.3	24.00	0.745	7.245	0.870	2390	199	9.02	47.7	13.2	1.27
S 24 × 80	80	23.5	24.00	0.500	7.000	0.870	2100	175	9.47	42.2	12.1	1.34

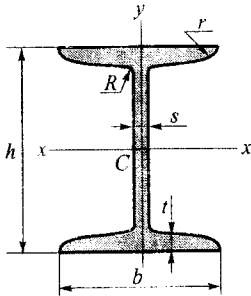
(finished)

1	2	3	4	5	6	7	8	9	10	11	12	13
S 18 × 70	70	20.6	18.00	0.711	6.251	0.691	926	103	6.71	24.1	7.72	1.08
S 18 × 54.7	54.7	16.1	18.00	0.461	6.001	0.691	804	89.4	7.07	20.8	6.94	1.14
S 15 × 50	50	14.7	15.00	0.550	5.640	0.622	486	64.8	5.75	15.7	5.57	1.03
S 15 × 42.9	42.9	12.6	15.00	0.411	5.501	0.622	447	59.6	5.95	14.4	5.23	1.07
S 12 × 50	50	14.7	12.00	0.687	5.477	0.659	305	50.8	4.55	15.7	5.74	1.03
S 12 × 35	35	10.3	12.00	0.428	5.078	0.544	229	38.2	4.72	9.87	3.89	0.980
S 10 × 35	35	10.3	10.00	0.594	4.944	0.491	147	29.4	3.78	8.36	3.38	0.901
S 10 × 25.4	25.4	7.46	10.00	0.311	4.661	0.491	124	24.7	4.07	6.79	2.91	0.954
S 8 × 23	23	6.77	8.00	0.441	4.171	0.426	64.9	16.2	3.10	4.31	2.07	0.798
S 8 × 18.4	18.4	5.41	8.00	0.271	4.001	0.426	57.6	14.4	3.26	3.73	1.86	0.831
S 6 × 17.25	17.25	5.07	6.00	0.465	3.565	0.359	26.3	8.77	2.28	2.31	1.30	0.675
S 6 × 12.5	12.5	3.67	6.00	0.232	3.332	0.359	22.1	7.37	2.45	1.82	1.09	0.705
S 4 × 9.5	9.5	2.79	4.00	0.326	2.796	0.293	6.79	3.39	1.56	0.903	0.646	0.569
S 4 × 7.7	7.7	2.26	4.00	0.193	2.663	0.293	6.08	3.04	1.64	0.764	0.574	0.581

Geometrical properties of S shapes (I-beam sections) (GOST 8239-72)

Геометрические характеристики двутавровых сечений (ГОСТ 8239-72)

Геометричні характеристики двотаврових перерізів (Держстандарт 8239-72)



h – height of a beam,
 b – width of a flange,
 s – thickness of a web,
 t – average thickness of a flange,
 I – axial moment of inertia,
 W – sectional modulus,
 i – radius of gyration,
 S_x – first moment of a half-section.

Designation (number)	Dimensions, mm				Area, cm ²	I_x , cm ⁴	W_x , cm ³	i_x , cm	S_x , cm ³	i_y , cm ⁴	W_y , cm ³	i_y , cm	Mass per meter, kg
	h	b	s	t									
10	100	55	4,5	7,2	12,0	198	39,7	4,06	23,0	17,9	6,49	1,22	9,46
12	120	64	4,8	7,3	14,7	350	58,4	4,88	33,7	27,9	8,72	1,38	11,5
14	140	73	4,9	7,5	17,4	572	81,7	5,73	46,8	41,9	11,5	1,55	13,7
16	160	81	5,0	7,8	20,2	873	109	6,57	62,	58,6	14,5	1,70	15,9

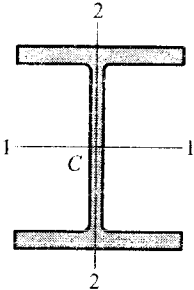
(finished)

18	180	90	5,1	8,1	23,4	1290	143	7,42	81,4	82,6	18,4	1,88	18,4
18a	180	100	5,1	8,3	25,4	1430	159	7,51	89,8	114	22,8	2,12	19,9
20	200	100	5,2	8,4	26,8	1840	184	8,28	104	115	23,1	2,07	21,0
20a	200	110	5,2	8,6	28,9	2030	203	8,37	114	155	28,2	2,32	22,7
22	220	110	5,4	8,4	30,6	2550	232	9,13	131	157	28,6	2,27	24,0
22a	220	120	5,4	8,9	32,8	2790	254	9,22	143	206	34,3	2,50	25,8
24	240	115	5,6	9,5	34,8	3460	289	9,97	163	198	34,5	2,37	27,3
24a	240	125	5,6	9,8	37,5	3800	317	10,1	178	260	41,6	2,63	29,4
27	270	125	6,0	9,8	40,2	5010	371	11,2	210	260	41,5	2,54	31,5
27a	270	135	6,0	10,2	43,2	5500	407	11,3	229	337	50,0	2,80	33,9
30	300	135	6,5	10,2	46,5	7080	472	12,3	268	337	49,9	2,69	36,5
30a	300	145	6,5	10,7	49,9	7780	518	12,5	292	436	60,1	2,95	39,2
33	330	140	7,0	11,2	53,8	9840	597	13,5	389	419	69,9	2,79	42,2
36	360	145	7,5	12,3	61,9	13380	743	14,7	423	519	71,1	2,89	48,6
40	400	155	8,3	13,0	72,6	19062	953	16,2	545	667	86,1	3,03	57,0
45	450	160	9	14,2	84,7	27696	1231	18,1	708	808	101	3,09	66,5
50	500	170	10	15,2	100	39727	1589	19,9	919	1043	123	3,23	78,5
55	550	180	11	16,5	118	35962	2035	21,8	1181	1366	151	3,39	92,7
60	600	190	12	17,8	138	76806	2560	23,6	1481	1725	182	3,54	108

Geometrical properties of W shapes (wide-flange sections) (AISC)

Геометрические характеристики двутавровых широкополочных сечений (стандарт Американского института стальных конструкций)

Геометричні характеристики двотаврових широкополочних перерізів (стандарт Американського інституту сталевих конструкцій)



Note: Axes 1-1 and 2-2 are principal centroidal axes.

Designation	Weight per foot	Area	Depth	Web thickness	Flange		Axis 1-1			Axis 2-2		
					Width	Thickness	I	S	r	I	S	r
1	2	3	4	5	6	7	8	9	10	11	12	13
W 30 X 211	211	62.0	30.94	0.775	15.105	1.315	10300	663	12.9	757	100	3.49
W 30 X 132	132	38.9	30.31	0.615	10.545	1.000	5770	380	12.2	196	37.2	2.25

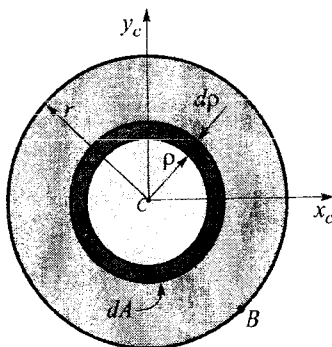
(finished)

1	2	3	4	5	6	7	8	9	10	11	12	13
W 24 X 162	162	47.7	25.00	0.705	12.955	1.220	5170	414	10.4	443	68.4	3.05
W 24 X 94	94	27.7	24.31	0.515	9.065	0.875	2700	222	9.87	109	24.0	1.98
W 18 X 119	119	35.1	18.97	0.655	11.265	1.060	2190	231	7.90	253	44.9	2.69
W 18 X 71	71	20.8	18.47	0.495	7.635	0.810	1170	127	7.50	60.3	15.8	1.70
W 16 X 100	100	29.4	16.97	0.585	10.425	0.985	1490	175	7.10	186	35.7	2.51
W 16 X 77	77	22.6	16.52	0.455	10.295	0.760	1110	134	7.00	138	26.9	2.47
W 16 X 57	57	16.8	16.43	0.430	7.120	0.715	758	92.2	6.72	43.1	12.1	1.60
W 16 X 31	31	9.12	15.88	0.275	5.525	0.440	375	47.2	6.41	12.4	4.49	1.17
W 14 X 120	120	35.3	14.48	0.590	14.670	0.940	1380	190	6.24	495	67.5	3.74
W 14 X 82	82	24.1	14.31	0.510	10.130	0.855	882	123	6.05	148	29.3	2.48
W 14 X 53	53	15.6	13.92	0.370	8.060	0.660	541	77.8	5.89	57.7	14.3	1.92
W 14 X 26	26	7.69	13.91	0.255	5.025	0.420	245	35.3	5.65	8.91	3.54	1.08
W 12 X 87	87	25.6	12.53	0.515	12.125	0.810	740	118	5.38	241	39.7	3.07
W 12 X 50	50	14.7	12.19	0.370	8.080	0.640	394	64.7	5.18	56.3	13.9	1.96
W 12 X 35	35	10.3	12.50	0.300	6.560	0.520	285	45.6	5.25	24.5	7.47	1.54
W 12 X 14	14	4.16	11.91	0.200	3.970	0.225	88.6	14.9	4.62	2.36	1.19	0.753
W 10 X 60	60	17.6	10.22	0.420	10.080	0.680	341	66.7	4.39	116	23.0	2.57
W 10 X 45	45	13.3	10.10	0.350	8.020	0.620	248	49.1	4.32	53.4	13.3	2.01
W 10 X 30	30	8.84	10.47	0.300	5.810	0.510	170	32.4	4.38	16.7	5.75	1.37
W 10 X 12	12	3.54	9.87	0.190	3.960	0.210	53.8	10.9	3.90	2.18	1.10	0.785
W 8 X 35	35	10.3	8.12	0.310	8.020	0.495	127	31.2	3.51	42.6	10.6	2.03
W 8 X 28	28	8.25	8.06	0.285	6.535	0.465	98.0	24.3	3.45	21.7	6.63	1.62
W 8 X 21	21	6.16	8.28	0.250	5.270	0.400	75.3	18.2	3.49	9.77	3.71	1.26
W 8 X 15	15	4.44	8.11	0.245	4.015	0.315	48.0	11.8	3.29	3.41	1.70	0.876

Polar moment of inertia of a circle

Полярный момент инерции круга (круглого сечения)

Полярний момент інерції круга (круглого перерізу)



A circle

To illustrate the determination of polar moments of inertia and the use of the parallel-axis theorem, we'll consider a circle of radius r . Let us take a differential element of area dA in the form of a thin ring of radius ρ and thickness $d\rho$ (thus, $dA = 2\pi\rho d\rho$). Since every point in the element is at the same distance ρ from the center of the circle, the polar moment of inertia of the circle with respect to the center is:

$$(I_{\rho})_C = \int \rho^2 dA = \int_0^r 2\pi\rho^3 d\rho = \frac{\pi r^2}{4}.$$

The polar moment of inertia of the circle with respect to any point B on its circumference (see figure) can be obtained from the parallel-axis theorem:

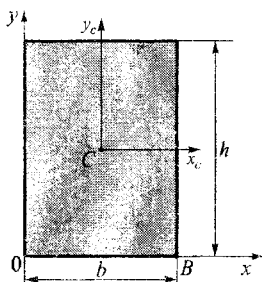
$$(I_{\rho})_B = (I_{\rho})_C + Aa^2 = \frac{\pi r^2}{4} + \pi r^2(r^2) = \frac{3\pi r^4}{2}.$$

Note: The polar moment of inertia has its smallest value when the reference point is the *centroid* of the area.

Product of inertia of a rectangle

Центробежный момент инерции прямоугольника

Відцентровий момент інерції прямокутника



Parallel-axis theorem for products of inertia. x_c, y_c - central axes

Using the parallel-axis theorem, let us determine the product of inertia of a rectangle with respect to x, y axes having their origin at point O at the lower left-hand corner of the rectangle (see figure). The product of inertia with respect to the centroidal x_c, y_c axes is zero because of symmetry. Also, the coordinates of the centroid with respect to the xy axes are:

$$d_1 = +\frac{h}{2}; \quad d_2 = +\frac{b}{2}.$$

Substituting into parallel-axis theorem equation, we obtain:

$$I_{xy} = I_{x_c y_c} + Ad_1 d_2 = 0 + bh \left(+\frac{h}{2} \right) \left(+\frac{b}{2} \right) = +\frac{b^2 h^2}{4}.$$

This product of inertia is positive because the entire area lies in the first quadrant. If the xy axes are translated horizontally so that the origin moves to point B at the lower right-hand corner of the rectangle, the entire area lies in the second quadrant and the product of inertia becomes $-b^2 h^2 / 4$.

Product of inertia of a right triangle

Центробежный момент инерции прямоугольного треугольника

Відцентровий момент інерції прямокутного трикутника

A right triangle with base b and height h is shown in figure. Let's determine the product of inertia I_{xy} with respect to the xy axes having their origin O at the 90° vertex of the triangle, and the product of inertia $I_{x_c y_c}$ with respect to the centroidal axes x_c, y_c .

1. *Product of inertia with respect to the x, y axes.* We will use the method of integration to evaluate this product of inertia. We begin by considering a differential element of area dA (see figure) in the form of a thin, horizontal strip of height dy and width equal to

$$b(x) = \frac{(h-y)b}{h}.$$

The area of this elemental strip is

$$dA = \frac{(h-y)b}{h} dy$$

and the coordinates of its centroid with respect to the x , y axes are known. The product of inertia of the strip with respect to axes through its own centroid and parallel to the x , y axes is zero (from symmetry). Therefore, its product of inertia dI_{xy} with respect to the x , y axes (from the parallel-axis theorem) is:

$$dI_{xy} = 0 + dA d_1 d_2 = \left[\frac{(h-y)b}{h} dy \right] \left[y \frac{(h-y)b}{2h} \right] = \frac{b^2}{2h^2} (h-y)^2 y dy.$$

The product of inertia I_{xy} of the entire triangle is obtained by integration:

$$I_{xy} = \int dI_{xy} = \frac{b^2}{2h^2} \int_0^h (h-y)^2 y dy = \frac{b^2 h^2}{24}.$$

Note: The entire area lies in the first quadrant, and therefore the product of inertia is positive.

2. *Product of inertia with respect to the x_c , y_c axes.* The product of inertia with respect to axes through the centroid may be determined from the *parallel-axis theorem*:

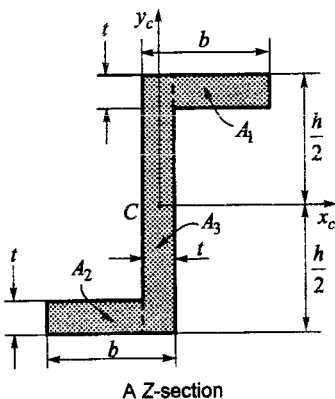
$$I_{x_c y_c} = I_{xy} - A \left(\frac{h}{3} \right) \left(\frac{b}{3} \right) = \frac{b^2 h^2}{24} - \frac{bh}{2} \left(\frac{h}{3} \right) \left(\frac{b}{3} \right) = -\frac{b^2 h^2}{72},$$

in which $h/3$ and $b/3$ are the coordinates of point C with respect to the x , y axes. Since most of the area is located in the second and fourth quadrants, the product of inertia turns out to be negative.

Product of inertia of a Z-section

Центробежный момент инерции Z-образного сечения

Відцентровий момент інерції Z-подібного перерізу



Determine the product of inertia $I_{x_c y_c}$ of the Z-section shown in figure. The section has width b , height h , and thickness t .

To obtain the product of inertia with respect to the x , y axes through the centroid, we divide the area into three parts and use the *parallel-axis theorem*. The parts are as follows: (1) a rectangle of width $b-t$ and thickness t in the upper flange, (2) a similar rectangle in the lower flange, and (3) a web rectangle with height h and thickness t .

The product of inertia of the web rectangle with respect to the x , y axes is zero (from symmetry). The product of inertia (I_{xy}) of the upper flange

rectangle (with respect to the x_c , y_c axes) is determined by using the parallel-axis theorem:

$$(I_{xy})_1 = I_{x_c y_c} + Ad_1 d_2,$$

in which $I_{x_c y_c}$ is the product of inertia of the rectangle with respect to its own **centroid**, A is the area of the rectangle, d_1 is the x coordinate of the centroid of the rectangle, and d_2 is the y coordinate of the centroid of the rectangle. Thus,

$$I_{x_c y_c} = 0, \quad A = (b-t)t, \quad d_1 = \frac{h}{2} - \frac{t}{2}, \quad d_2 = \frac{b}{2};$$

and the product of inertia of the upper flange rectangle is

$$(I_{xy})_1 = I_{x_c y_c} + Ad_1 d_2 = 0 + t(b-t) \left(\frac{h}{2} - \frac{t}{2} \right) \left(\frac{b}{2} \right) = \frac{bt}{4} (h-t)(b-t).$$

The product of inertia of the lower flange rectangle is the same. Therefore, the product of inertia of the entire Z-section is twice $(I_{xy})_1$, or

$$I_{xy} = \frac{bt}{2} (h-t)(b-t).$$

Note: This product of inertia is positive because the flanges lie in the first and third quadrants.

Index

- angle section with equal legs (syn. L shape, equal-leg angle section), 29
- angle section with unequal legs, 29
- area (of a plane figure), 5
- axial moment of inertia (of a plane area) (syn. second moment (of a plane area), geometric(al) moment (of a plane area), moment of inertia (of a plane area)), 5
- axial moment of inertia of a composite area, 6
- axial moment of inertia of a parabolic semisegment, 52
- axis of symmetry, 7

- bulb angle, 29

- C shape (see channel section), 29
- center of area (see centroid), 8
- center of figure (see centroid), 8
- central axes (see centroidal axes), 8
- centroid (syn. center of area, center of figure), 8
- centroid of a circular sector, 43
- centroid of a circular segment, 43
- centroid of a composite area, 44
- centroid of an isosceles triangle, 45
- centroid of a parabolic semisegment, 45
- centroid of a parabolic spandrel, 47
- centroid of a quarter circle, 47
- centroid of a quarter-circular spandrel, 48
- centroid of a rectangle, 48
- centroid of a right triangle, 49
- centroid of a semicircle, 49
- centroid of a semisegment of n th degree, 49
- centroid of a sine wave, 50
- centroid of a spandrel of n th degree, 50
- centroid of a thin circular arc, 50
- centroid of a trapezoid, 51
- centroid of a triangle, 51
- centroid of an arbitrary area, 51

- centroidal (central) axial moment of inertia of a rectangle, 53
- centroidal (central) moments of inertia of a straight triangle, 53
- centroidal (syn. central) axes, 8
- centroidal axes of right triangle, 9
- centroidal axial moments of inertia of a parabolic semisegment, 55
- channel section (syn. C shape), 30
- circle, 30
- circle with core removed, 30
- circular sector, 31
- circular segment, 31
- composite area (cross section), 9
- cross section, 10
- cross section with one axis of symmetry (see singly symmetric cross section), 10

- doubly symmetric cross section, 11

- ellipse, 31
- equal-leg angle section (see angle section with equal legs), 31
- equilateral triangle, 32

- first moment (of a plane area) (syn. static moment (of a plane area)), 12
- flange, 32

- geometric(al) moment (of a plane area) (see axial moment of inertia (of a plane area)), 12
- geometrical properties of a circle, 55
- geometrical properties of a circle with core removed, 56
- geometrical properties of a circular sector, 56
- geometrical properties of a circular segment, 57
- geometrical properties of an ellipse, 57

- geometrical properties of an isosceles triangle, 57
- geometrical properties of a parabolic semisegment (see also axial moment of inertia of a parabolic semisegment), 58
- geometrical properties of a parabolic spandrel, 58
- geometrical properties of a quarter circle, 58
- geometrical properties of a quarter-circular spandrel, 59
- geometrical properties of a rectangle (see also centroidal (central) axial moment of inertia of a rectangle), 59
- geometrical properties of a regular polygon with n sides, 60
- geometrical properties of a right triangle (see also centroidal (central) moments of inertia of a straight triangle), 60
- geometrical properties of a semicircle, 61
- geometrical properties of a semisegment of n th degree, 61
- geometrical properties of a sine (half-sine) wave, 62
- geometrical properties of a spandrel of n th degree, 62
- geometrical properties of a thin circular arc, 62
- geometrical properties of a thin circular ring, 63
- geometrical properties of a thin rectangle, 63
- geometrical properties of a trapezoid, 64
- geometrical properties of a triangle, 64
- geometrical properties of angle sections with equal legs (I shapes) (AISC), 65
- geometrical properties of angle sections with equal legs (L shapes) (GOST 8509-72), 66
- geometrical properties of angle sections with unequal legs (L shapes) (AISC), 68
- geometrical properties of angle sections with unequal legs (L shapes) (GOST 8510-72), 69
- geometrical properties of channel sections (C shapes) (AISC), 71
- geometrical properties of channel sections (C shapes) (GOST 8240-72), 72
- geometrical properties of S shapes (I-beam sections) (AISC), 73
- geometrical properties of S shapes (I-beam sections) (GOST 8239-72), 74
- geometrical properties of W shapes (wide-flange sections) (AISC), 75
- hollow box (see thin-walled tube of rectangular cross section), 32
- hollow circular cross section (syn. hollow circular tube), 32
- hollow circular tube (see hollow circular cross section), 32
- hollow square cross section (doubly symmetric), 33
- I-beam section (syn. S-shape) (AISC), 33
- isosceles right triangle, 33
- isosceles trapezoid, 33
- isosceles triangle, 34
- L shape (see angle section with equal legs), 34
- major axis of ellipse, 34
- minor axis of ellipse, 34
- moment of inertia (of a plane area) (see axial moment of inertia (of a plane area)), 12
- noncentroidal axes, 12
- open cross section, 13
- parabolic semisegment, 34
- parabolic spandrel, 35
- parallel-axis theorem for axial moments of inertia (syn. Steiner's theorem), 13
- parallel-axis theorem for polar moments of inertia, 14
- parallel-axis theorem for products of inertia (syn. Steiner's theorem), 14
- polar moment of inertia (of a plane area), 15

- polar moment of inertia of a circle, 76
 principal axis (of inertia), 16
 principal central axes (see principal centroidal axes), 16
 principal central axes for equal-legs angle, 16
 principal centroidal axes (syn. principal central axes), 18
 principal moments of inertia (at a point), 21
 principal point, 22
 product of inertia, 23
 product of inertia of a rectangle, 77
 product of inertia of a right triangle, 77
 product of inertia of a Z-section, 78
- quarter circle, 35
 quarter-circular spandrel, 35
 radius of gyration, 24
 rectangle, 35
 regular hexagon, 36
 regular hexagon hollow cross section (syn. regular hexagon tube), 36
 regular hexagon tube (see regular hexagon hollow cross section), 36
 regular polygon with n sides, 36
 right triangle, 37
- sandwich cross section, 24
 second moment (of a plane area) (see axial moment of inertia (of a plane area)), 25
 section(al) modulus (of the cross section), 25
 section(al) modulus of torsion, 26
 semicircle, 37
 semisegment of n th degree, 37
 sign conventions for a product of inertia, 27
 sine wave, 37
 singly symmetric cross section (syn. cross section with one axis of symmetry), 27
 spandrel of n th degree, 38
 square chimney, 38
 square cross section, square, 38
 square tubular cross section, 38
 S-shape (see I-beam section), 39
 static moment (of a plane area) (see first moment (of a plane area)), 28
- Steiner's theorem (see parallel-axis theorem for axial moments of inertia, parallel axis theorem for polar moment of inertia, parallel axis theorem for product of inertia), 28
- T-beam, 39
 thin circular arc, 39
 thin circular ring, 39
 thin rectangle, 39
 thin-walled rectangular tube (see thin-walled tube of rectangular cross section), 40
 thin-walled tube of elliptical cross section, 40
 thin-walled tube of rectangular cross section (syn. hollow box, rectangular tube, thin-walled rectangular tube), 40
 transformation equations for axial moments and products of inertia, 28
 trapezoid, 40
 triangle, 41
 tube with variable wall thickness, 41
- unsymmetric I-beam, 41
- W shape (see wide-flange cross section), 41
 web, 42
 wide-flange cross section (syn. W shape), 42

- большая ось эллипса, 34
 бульбовый уголок, 29
- второй момент (площади), 25
- геометрические характеристики двутавровых сечений (ГОСТ 8239-72), 74
 геометрические характеристики двутавровых сечений (стандарт Американского института стальных конструкций), 73
 геометрические характеристики двутавровых широкополочных сечений (стандарт Американского института стальных конструкций), 75
 геометрические характеристики дуги тонкого кругового кольца, 62
 геометрические характеристики круга, 55
 геометрические характеристики круга с отверстием, 56
 геометрические характеристики кругового сегмента, 57
 геометрические характеристики кругового сектора, 56
 геометрические характеристики параболического полусегмента, 58
 геометрические характеристики площади, ограниченной параболой, 58
 геометрические характеристики площади, ограниченной параболой n -й степени, 62
 геометрические характеристики площади, ограниченной четвертью круга, 59
 геометрические характеристики полувольты синусоиды, 62
 геометрические характеристики полукруга, 61
 геометрические характеристики полусегмента n -й степени, 61
 геометрические характеристики прямоугольника, 59
 геометрические характеристики прямоугольного треугольника, 60
 геометрические характеристики равнобедренного треугольника, 57
 геометрические характеристики равностороннего многоугольника с n сторонами, 60
 геометрические характеристики стали прокатной угловой неравнополочной (ГОСТ 8510-72), 69
 геометрические характеристики стали прокатной угловой равнополочной (стандарт Американского института стальных конструкций), 68
 геометрические характеристики стали прокатной угловой равнополочной (ГОСТ 8509-72), 66
 геометрические характеристики стали прокатной угловой равнополочной (стандарт Американского института стальных конструкций), 65
 геометрические характеристики тонкого кругового кольца, 63
 геометрические характеристики тонкого прямоугольника, 63
 геометрические характеристики трапеции, 64
 геометрические характеристики треугольника, 64
 геометрические характеристики четверти круга, 58
 геометрические характеристики швеллерных сечений (ГОСТ 8240-72), 72
 геометрические характеристики швеллерных сечений (стандарт Американского института стальных конструкций), 71
 геометрические характеристики эллипса, 57
 геометрический момент (площади), осевой момент инерции (площади), 12
 геометрический центр площади, центр тяжести площади, 8
 геометрический центр фигуры, центр тяжести фигуры, 8
 главная ось (инерции), 16
 главные моменты инерции (в точке), 21
 главные центральные оси, 16, 18
 главные центральные оси стали прокатной угловой равнополочной, 16
- двутавровое поперечное сечение (прокат), 39
 двутавровое поперечное сечение (прокат) (Американский институт стальных конструкций), 33
 двутавровое широкополочное поперечное сечение, 41
 двутавровое широкополочное поперечное сечение (постоянной толщины поллок), 42

- квадрат с круговым вырезом, 38
 квадратное поперечное сечение, квадрат, 38
 квадратное трубчатое поперечное сечение, 38
 коробчатое сечение, тонкостенная труба
 прямоугольного сечения, 32
 круг, 30
 круг с центральным отверстием, 30
 круговой сегмент, 31
 круговой сектор, 31
- малая ось эллипса, 34
 момент инерции (площади), 12
 момент сопротивления (поперечного сечения), 25
- несимметричный (разнополочный) двутавр, 41
 нецентральные оси, 12
- осевой момент инерции (площади) (син. второй момент (площади), геометрический момент (площади)), 5
 осевой момент инерции параболического полусегмента, 52
 осевой момент инерции составной площади, 6
 ось симметрии, 7
 открытое поперечное сечение, незамкнутое поперечное сечение, 13
- параболический полусегмент, полусегмент параболы, 34
 первый момент (площади), статический момент (площади), 12
 площадь (плоской фигуры), 5
 площадь, ограниченная параболой n -й степени, 38
 площадь, ограниченная параболой, подсводное пространство параболы, "параболический треугольник", 35
 площадь, ограниченная четвертью круга, подсводное пространство четверти круга, 35
 полая круговая труба, трубчатое поперечное сечение, 32
 полное квадратное поперечное сечение, 33
 (полу)волна синусоиды, 37
 полукруг, 37
 полусегмент n -й степени, 37
- полярный момент инерции (площади), 15
 полярный момент инерции круга (круглого сечения), 76
 полярный момент сопротивления, 26
 поперечное сечение, 10
 поперечное сечение с двумя осями симметрии, 11
 поперечное сечение с одной осью симметрии, 10, 27
 пояс, полка (балки двутаврового поперечного сечения), 32
 правило знаков для центробежного момента инерции, 27
 прямоугольная труба (труба прямоугольного сечения), 40
 прямоугольник, 35
 прямоугольный треугольник, 37
- равнобедренный прямоугольный треугольник, 33
 равнобедренный треугольник, 34
 равнобокая трапеция, 33
 равностороннее шестиугольное трубчатое поперечное сечение, 36
 равносторонний многоугольник с n сторонами, 36
 равносторонний треугольник, 32
 равносторонний шестиугольник, 36
 радиус инерции, 24
 составная площадь (поперечное сечение), 9
 составное многослойное поперечное сечение, 24
 сталь горячекатаная. Швеллеры (син. швеллерное сечение, швеллер), 29–30
 сталь прокатная угловая неравнополочная (син. неравнобокое уголковое сечение, уголок неравнобокий), 29
 сталь прокатная угловая равнополочная, 31, 34
 сталь прокатная угловая равнополочная (син. равнобокое уголковое сечение), 29
 статический момент (площади), 28
 Стейнера теорема, 28
 стенка (тонкостенного поперечного сечения, напр. двутавра), 42
- тавровое сечение, тавр, 39
 теорема о параллельном переносе осей, теорема об осевых моментах инерции относительно осей, параллельных исход-

- ным центральным, 13
 теорема о полярном моменте инерции при параллельном переносе осей, 14
 теорема о центробежных моментах инерции относительно пары осей, параллельных исходным центральным, 14
 тонкая дуга круга, 39
 тонкий прямоугольник, 39
 тонкое круговое кольцо, 39
 тонкостенная труба прямоугольного сечения, 40
 тонкостенная труба эллиптического поперечного сечения, 40
 точка-начало главных осей инерции, 22
 трапеция, 40
 треугольник, 41
 труба с переменной толщиной стенки, 41
 трубчатое поперечное сечение, 32
- уравнения для преобразования осевых и центробежного моментов инерции при повороте осей, 28
- центр "тяжести" (полу)волны синуса, геометрический центр (полу)волны синуса, 50
 центр "тяжести" дуги тонкого кругового кольца, геометрический центр дуги тонкого кругового кольца, 50
 центр "тяжести" кругового сегмента, геометрический центр кругового сегмента, 43
 центр "тяжести" кругового сектора, геометрический центр кругового сектора, 43
 центр "тяжести" параболического полусегмента, геометрический центр параболического полусегмента, 45
 центр "тяжести" площади, ограниченной параболой n -й степени, геометрический центр площади, ограниченной параболой n -й степени, 50
 центр "тяжести" площади, ограниченной параболой, геометрический центр площади, ограниченной параболой, 47
 центр "тяжести" площади, ограниченной четвертью круга, геометрический центр площади, ограниченной четвертью круга, 48
 центр "тяжести" полукруга, геометрический центр полукруга, 49
- центр "тяжести" полусегмента n -й степени, геометрический центр полусегмента n -й степени, 49
 центр "тяжести" произвольной площади, геометрический центр произвольной площади, 51
 центр "тяжести" прямоугольника, геометрический центр прямоугольника, 48
 центр "тяжести" прямоугольного треугольника, геометрический центр прямоугольного треугольника, 49
 центр "тяжести" равнобедренного треугольника, геометрический центр равнобедренного треугольника, 45
 центр "тяжести" составного сечения, геометрический центр составного сечения, 44
 центр "тяжести" трапеции, геометрический центр трапеции, 51
 центр "тяжести" треугольника, геометрический центр треугольника, 51
 центр "тяжести" четверти круга, геометрический центр четверти круга, 47
 центральные осевые моменты инерции параболического полусегмента, 55
 центральные осевые моменты инерции прямоугольного треугольника, 53
 центральные оси, 8
 центральные оси прямоугольного треугольника, 9
 центральные осевые моменты инерции прямоугольника, 53
 центробежный момент инерции, 23
 центробежный момент инерции Z -образного сечения, 78
 центробежный момент инерции прямоугольника, 77
 центробежный момент инерции прямоугольного треугольника, 77
- четверть круга, 35
- эллипс, 31

бульбовий кутік, 29

велика вісь еліпса, 34

відкритий поперечний переріз, незамкнений поперечний переріз, 13

відцентровий момент інерції, 23

відцентровий момент інерції Z -подібного перерізу, 78

відцентровий момент інерції прямокутника, 77

відцентровий момент інерції прямокутного трикутника, 77

вісь симетрії, 7

геометричний момент (площі), осьовий момент інерції (площі), 12

геометричний центр площі, центр ваги площі, 8

геометричний центр площі, центр ваги площі, 8

геометричні характеристики двотаврових перерізів (Держстандарт 8239-72), 74

геометричні характеристики двотаврових перерізів (стандарт Американського інституту сталених конструкцій), 73

геометричні характеристики двотаврових широкополічних перерізів (стандарт Американського інституту сталених конструкцій), 75

геометричні характеристики дуги тонкого кругового кільця, 62

геометричні характеристики еліпса, 57

геометричні характеристики круга, 55

геометричні характеристики круга з отвором, 56

геометричні характеристики кругового сектора, 56

геометричні характеристики півсегмента n -го степеня, 61

геометричні характеристики параболічного півсегмента, 58

геометричні характеристики півкруга, 61

геометричні характеристики півхвилі синусоїди, 62

геометричні характеристики площі, обмеженої параболою, 58

геометричні характеристики площі, обме-

женої параболою n -го степеня, 62

геометричні характеристики площі, обмеженої чвертю круга, 59

геометричні характеристики прямокутника, 59

геометричні характеристики прямокутного трикутника, 60

геометричні характеристики рівнобедреного трикутника, 57

геометричні характеристики рівностороннього багатокутника з n сторонами, 60

геометричні характеристики сегмента круга, 57

геометричні характеристики сталі прокатної кутової нерівнополічної (Держстандарт 8510-72), 69

геометричні характеристики сталі прокатної кутової нерівнополічної (стандарт Американського інституту сталених конструкцій), 68

геометричні характеристики сталі прокатної кутової рівнополічної (Держстандарт 8509-72), 66

геометричні характеристики сталі прокатної кутової рівнополічної (Американського інституту сталених конструкцій), 65

геометричні характеристики тонкого кругового кільця, 63

геометричні характеристики тонкого прямокутника, 63

геометричні характеристики трапеції, 64

геометричні характеристики трикутника, 64

геометричні характеристики чверті круга, 58

геометричні характеристики швелерних перерізів (Держстандарт 8240-72), 72

геометричні характеристики швелерних перерізів (стандарт Американського інституту сталених конструкцій), 71

головна вісь (інерції), 16

головні моменти інерції (у точці), 21

головні центральні осі, 16, 18

головні центральні осі сталі прокатної кутової рівнополічної, 16

- двотавровий поперечний переріз (прокат), 39
- двотавровий поперечний переріз (прокат) (Американський інститут сталевих конструкцій), 33
- двотавровий широкополічний поперечний переріз, 41
- двотавровий широкополічний поперечний переріз (постійної товщини полиць), 42
- другий момент (площі), 25
- еліпс, 31
- квадрат з круговим вирізом, 38
- квадратний поперечний переріз, квадрат, 38
- квадратний трубчастий поперечний переріз, 38
- коробчастий переріз, тонкостінна труба прямокутного перерізу, 32
- круг, 30
- круг з центральним отвором, 30
- круговий сегмент, 31
- круговий сектор, 31
- мала вісь еліпса, 34
- момент інерції (площі), 12
- момент опору (поперечного перерізу), 25
- несиметричний (різнополічний) двотавр, 41
- нецентральні осі, 12
- осьовий момент інерції (площі) (син. другий момент (площі), геометричний момент (площі)), 5
- осьовий момент інерції параболічного півсегмента, 52
- осьовий момент інерції складної площі, 6
- параболічний півсегмент, півсегмент параболи, 34
- перший момент (площі), статичний момент (площі), 12
- півкруг, 37
- півсегмент n -го степеня, 37
- (пів)хвиля синусоїди, 37
- площа (плоскої фігури), 5
- площа, обмежена параболою n -го степеня, 38
- площа, обмежена параболою, підсклепінний простір параболи "параболічний трикутник", 35
- площа, обмежена чвертю круга, підсклепінний простір чверті круга, 35
- полярний момент інерції (площі), 15
- полярний момент інерції круга (круглого перерізу), 76
- полярний момент опору, 26
- поперечний переріз, 10
- поперечний переріз з двома осями симетрії, 11
- поперечний переріз з однією віссю симетрії, 10, 27
- порожниста кругова труба, трубчастий поперечний переріз, 32
- носа, полиця (балки двотаврового поперечного перерізу), 32
- правило знаків для відцентрового моменту інерції, 27
- прямокутна труба (труба прямокутного перерізу), 40
- прямокутний трикутник, 37
- прямокутник, 35
- пустотілий квадратний поперечний переріз, 33
- радіус інерції, 24
- рівнобедрений прямокутний трикутник, 33
- рівнобедрений трикутник, 34
- рівнобока трапеція, 33
- рівносторонній багатокутник з n сторонами, 36
- рівносторонній трикутник, 32
- рівносторонній шестикутний трубчастий поперечний переріз, 36
- рівносторонній шестикутник, 36
- рівняння для перетворення осьових та відцентрового моментів інерції при повороті осей, 28
- складена площа (поперечний переріз), 9
- складений багаточаровий поперечний пе-

- пері́з, 24
- сталь гарячекатана. Швелери (син. швелерний переріз, швелер), 29, 30
- сталь прокатна куткова рівнополична (син. нерівнобокий кутниковий переріз, кутник нерівнобокий), 29
- сталь прокатна кутова рівнополична, 31, 34
- сталь прокатна кутова рівнополична (син. рівнобокий кутниковий переріз), 29
- статичний момент (площі), 28
- Стейнера теорема, 28
- сті́нка (тонкостінного поперечного перерізу, напр., двотавра), 42
- тавровий переріз, тавр, 39
- теорема про відцентрові моменти інерції відносно пари осей, паралельних вихідним центральним, 14
- теорема про паралельний перенос осей, теорема про осьові моменти інерції відносно осей, паралельних вихідним центральним, 13
- теорема про полярний момент інерції при паралельному переносі осей, 14
- тонка дуга круга, 39
- тонке кругове кільце, 39
- тонкий прямокутник, 39
- тонкостінна труба еліптичного поперечного перерізу, 40
- тонкостінна труба прямокутного перерізу, 40
- точка-початок головних осей інерції, 22
- трапе́ція, 40
- трику́тник, 41
- труба зі змінною товщиною стінки, 41
- трубчастий поперечний переріз, 32
- центр "ваги" (пів)хвилі синуса, геометричний центр (пів)хвилі синуса, 50
- центр "ваги" довільної площі, геометричний центр довільної площі, 51
- центр "ваги" дуги тонкого кругового кільця, геометричний центр дуги тонкого кругового кільця, 50
- центр "ваги" кругового сегмента, геометричний центр кругового сегмента, 43
- центр "ваги" кругового сектора, геометричний центр кругового сектора, 43
- центр "ваги" півсегмента n -го степеня, геометричний центр півсегмента n -го степеня, 49
- центр "ваги" параболічного півсегмента, геометричний центр параболічного півсегмента, 45
- центр "ваги" півкруга, геометричний центр півкруга, 49
- центр "ваги" площі, обмеженої параболою n -го степеня, геометричний центр площі, обмеженої параболою n -го степеня, 50
- центр "ваги" площі, обмеженої параболою, геометричний центр площі, обмеженої параболою, 47
- центр "ваги" площі, обмеженої чвертю круга, геометричний центр площі, обмеженої чвертю круга, 43
- центр "ваги" прямокутника, геометричний центр прямокутника, 48
- центр "ваги" прямокутного трикутника, геометричний центр прямокутного трикутника, 49
- центр "ваги" рівнобедреного трикутника, геометричний центр рівнобедреного трикутника, 45
- центр "ваги" складеного перерізу, геометричний центр складеного перерізу, 44
- центр "ваги" трапеції, геометричний центр трапеції, 51
- центр "ваги" трикутника, геометричний центр трикутника, 51
- центр "ваги" чверті круга, геометричний центр чверті круга, 47
- центральний осьовий момент інерції прямокутника, 53
- центральні осі, 8
- центральні осі прямокутного трикутника, 9
- центральні осьові моменти інерції параболічного півсегмента, 55
- центральні осьові моменти інерції прямокутного трикутника, 53
- чверть круга, 35

References

1. Ian Naismith Sneddon. Encyclopedic Dictionary of Mathematics for Engineers and Applied Scientists. Pergamon Press LTD, Great Britain, 1976.
2. James M. Gere, Stephen P. Timoshenko. Mechanics of Materials. PWS Pub. Co., 1997.
3. Англо-русский словарь математических терминов / Под ред. П.С. Александрова. – М., 2001.
4. Корн. Г., Корн. Т. Справочник по математике (для научных работников и инженеров): Пер. с англ. / Под ред. И.Г. Арамановича. – М., 1973.
5. Математическая энциклопедия / Гл. ред. И.М. Виноградов. В 5 т. – М., 1984.
6. Толковый словарь математических терминов / Под ред. В.А. Диткина. – М., 1965.

Навчальне видання

Деменко Владислав Федорович

**ГЕОМЕТРИЧНІ ХАРАКТЕРИСТИКИ ПЛОЩ
(англійською мовою)**

Редактори: Т.А. Ястремська, С.П. Гевло

Комп'ютерна верстка: Р.П. Шевчук

Зв. план, 2006

Підписано до друку 01.12.2006

Формат 60×84 1/16. Папір офс. № 2. Офс. друк.

Ум. друк. арк. 5. Обл.-вид. арк. 5,62. Наклад 100 прим.

Замовлення 599. Ціна вільна

Національний аерокосмічний університет ім. М.С. Жуковського
"Харківський авіаційний інститут"
61070, Харків-70, вул. Чкалова, 17
<http://www.khai.edu>
Видавничий центр "ХАІ"
61070, Харків-70, вул. Чкалова, 17
izdat@khai.edu